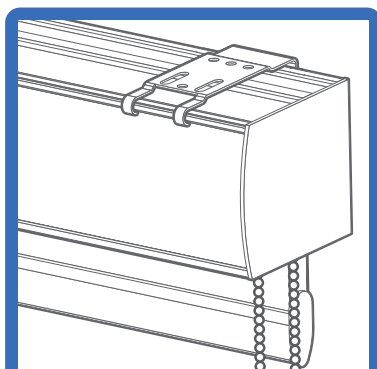
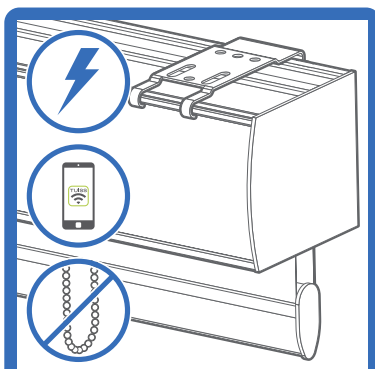


All of our Enjoy Roller Blinds are provided with easy to fit components to make installation a breeze. Click on the finish you've chosen for your blind from the selection below to find a fitting guide tailored for your blind.



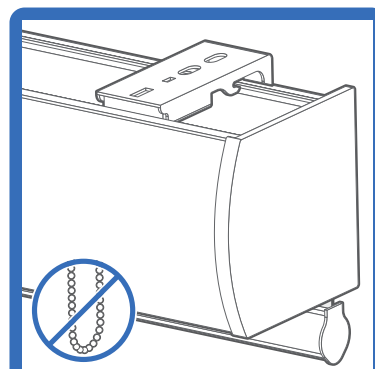
### Standard

Provided with a robust and simple bobble-chain for raising and lowering, and universal brackets for top and face fixing.



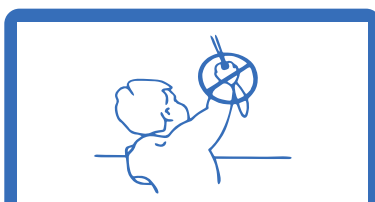
### SmartView Electric

Powered by a rechargeable motor and controlled using the free SmartView app, installed using Enjoy Roller brackets.



### Zero Gravity

Featuring cord-free control thanks to a soft raise spring system, provided with brackets for top and face fixing.



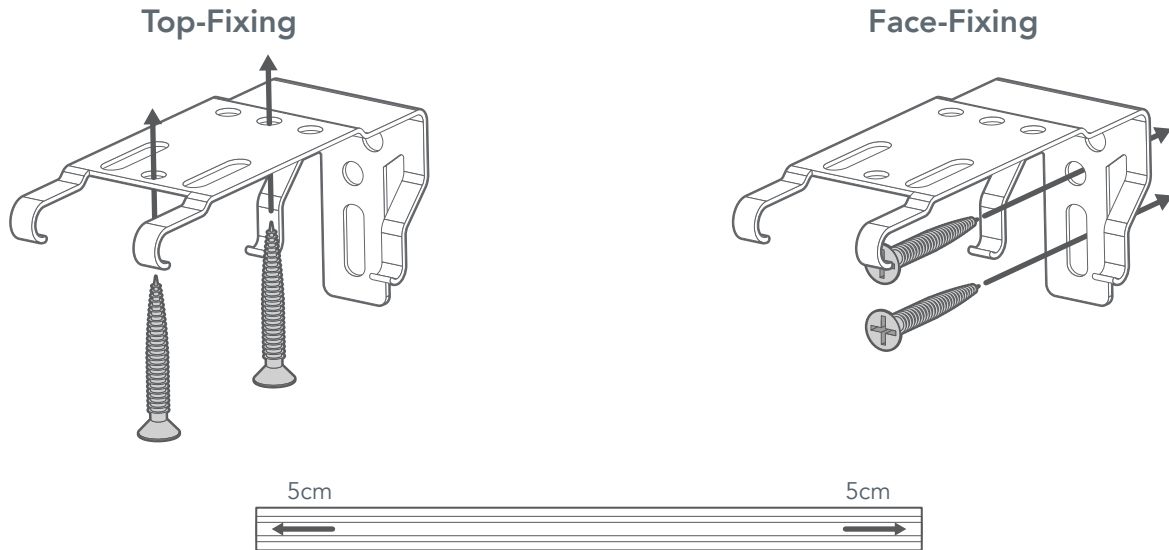
### Child Safety

Important information regarding child safety devices supplied with your blinds.

**Fitting the brackets**

**1**

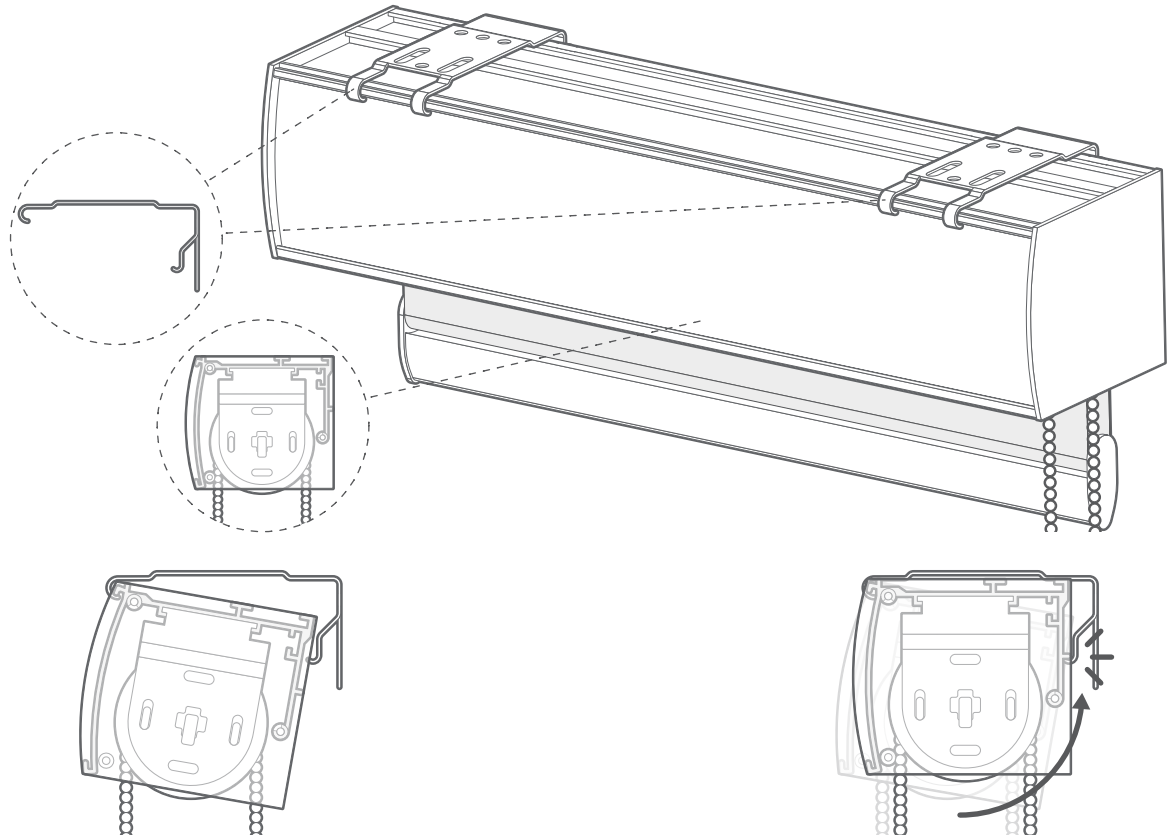
The brackets offer two methods of installation:



Note that the position of the outermost brackets should be at least 5cm away from the ends of the rail, with any other brackets evenly distributed across the width.

**Fitting the blind**

**2**



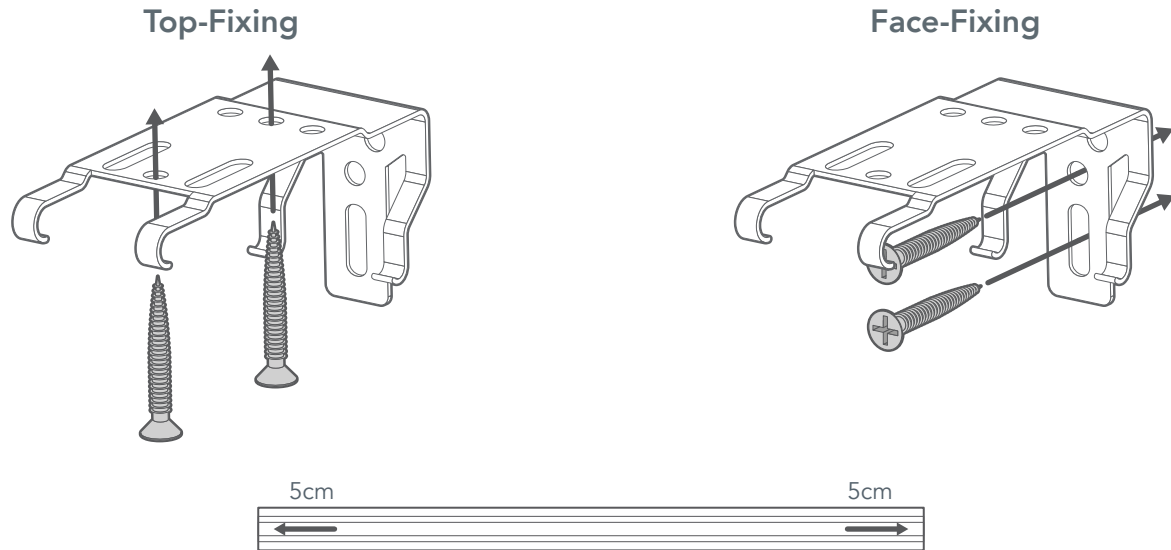
Hook the the 'lip' at the front of the blind's cassette onto the front hook of the bracket.

Now raise the back of the cassette up and push up firmly into the brackets until you hear it 'snap' into place.

**Fitting the brackets**

**1**

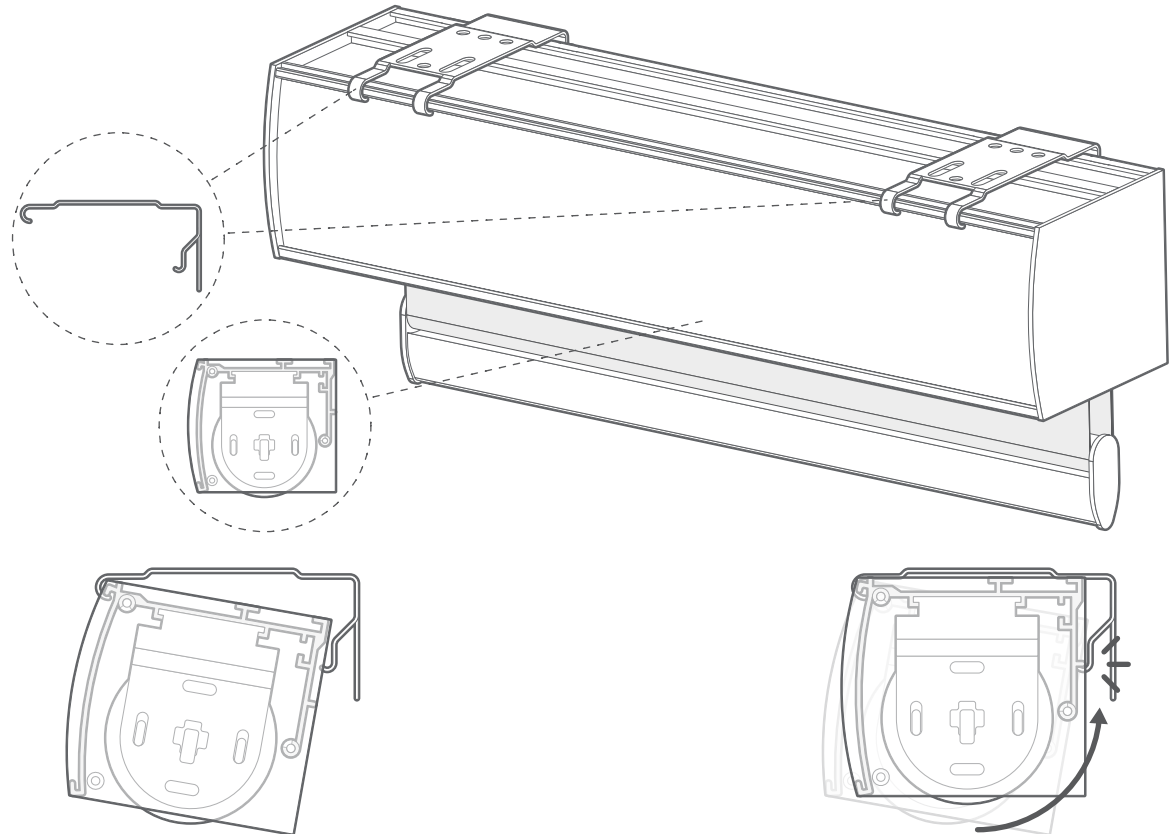
The brackets offer two methods of installation:



Note that the position of the outermost brackets should be at least 5cm away from the ends of the rail, with any other brackets evenly distributed across the width.

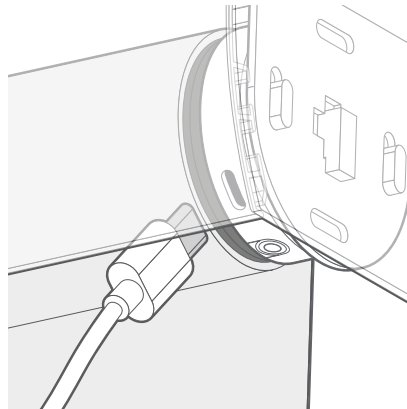
**Fitting the blind**

**2**

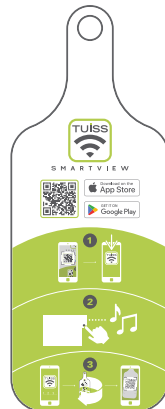


Hook the the 'lip' at the front of the blind's cassette onto the front hook of the bracket.

Now raise the back of the cassette up and push up firmly into the brackets until you hear it 'snap' into place.



Once your blinds are installed we recommend plugging in the motor to allow them to fully charge before use. Plug the charging cable (included) into the motor charging port and allow to charge until the LED on the charger plug turns green.

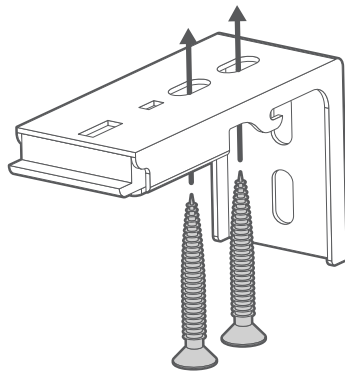


On the front of the swing tag that comes with each blind, you'll find a handy QR code you can scan with your phone. Scan this to download the SmartView app - you'll be setting up your blinds in moments!

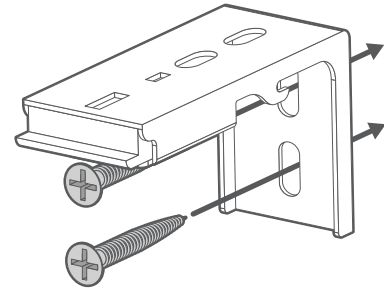
**Fitting the brackets**

**1**

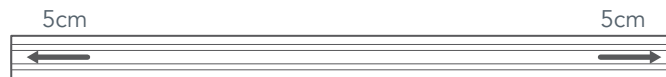
The brackets offer two methods of fitting:



**Top-fix**



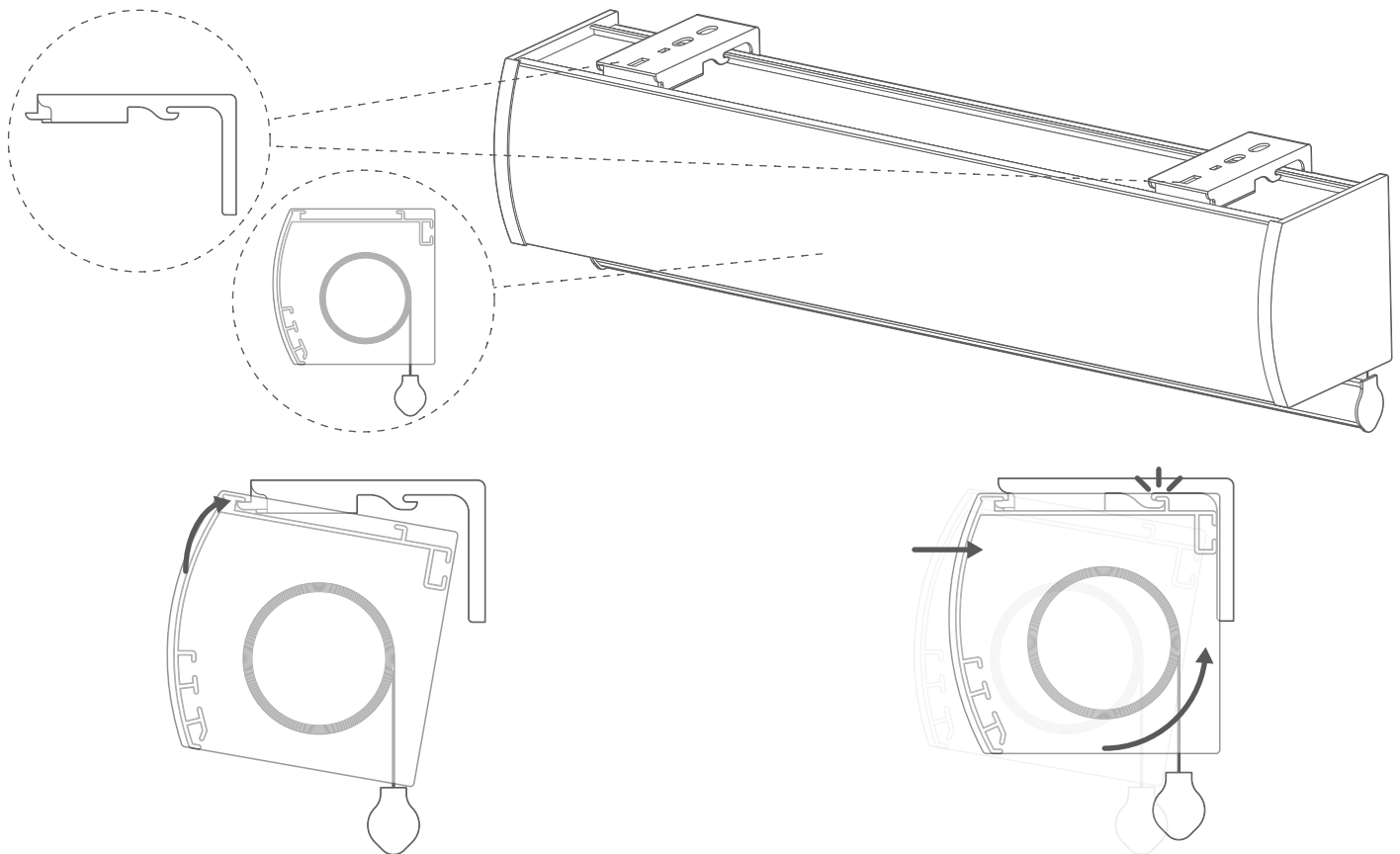
**Face-fix**



Note that the position of the outermost brackets should be at least 5cm away from the ends of the rail, with any other brackets evenly distributed across the width.

**Fitting the blind**

**2**




Hook the the 'lip' at the front of the blind's cassette onto the front hook of the bracket.

Push the blind back against the bracket whilst raising the back of the cassette. Push up into the bracket until it 'snaps' into place.


## Child Safety

Not applicable for SmartView or Zero Gravity Enjoy Roller Blinds



**WARNING**

Young children have died by wrapping loose curtain and blind cords or chains around their necks.

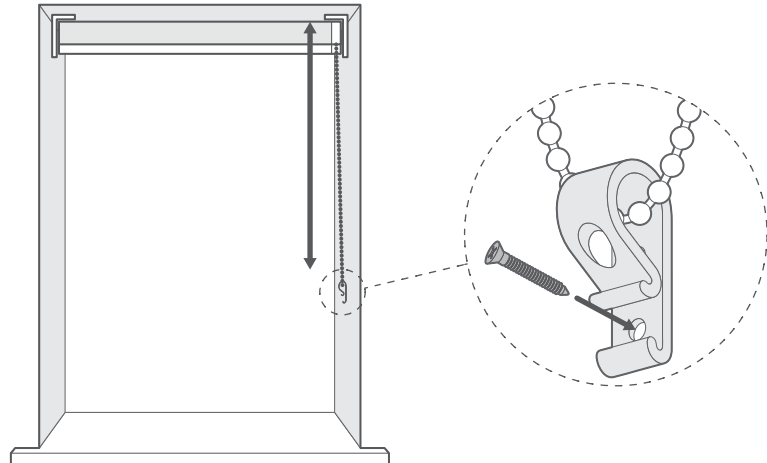


Secure cords or chains with cord guides or keep them out of reach by winding them around a cleat.

Move cots and furniture away from window covering cords or chains.

Do not remove this label.

**WARNING:** To avoid creating a possible strangulation hazard for children, the corded internal window covering must be installed in such a way that a loose cord cannot form a loop 220mm or longer at a height of less than 1600mm above floor level.



The cord retaining device must be installed at the maximum distance possible from the control mechanism to prevent looped cords from becoming slack.

Place the retaining device on the wall and mark the position of the screw hole(s) with a pencil.

Attach the retaining device to the wall using the fixings provided.