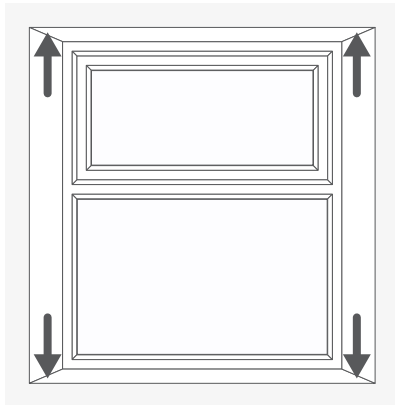
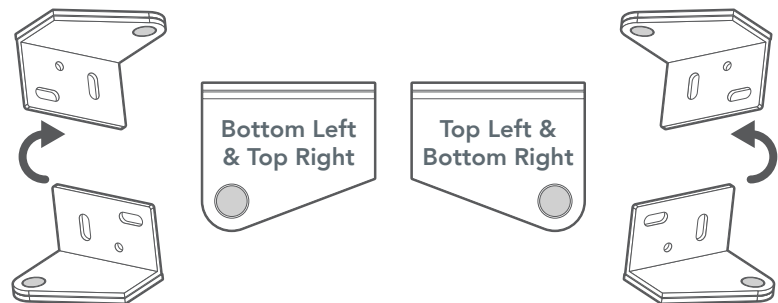


Install the Shutter hinges

1



Fit 1 hinge into each corner of the window, top and bottom.

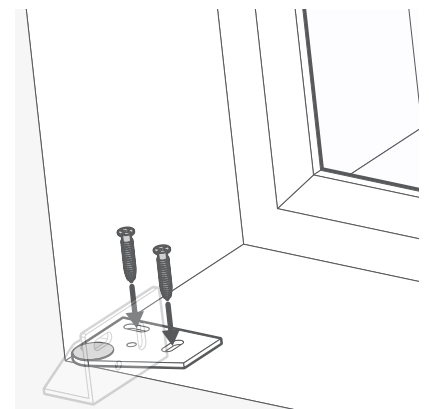
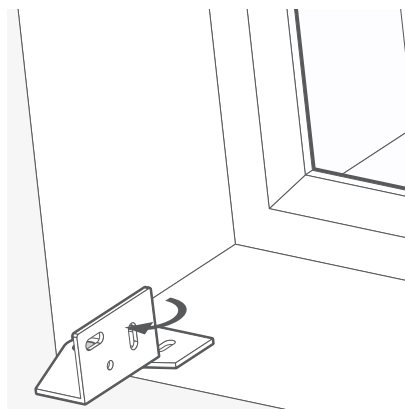
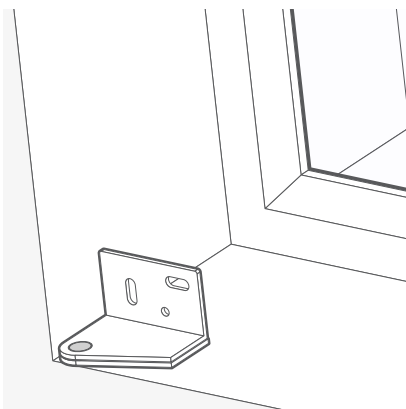


Note that there is a 'left' and 'right' version of each hinge, so they should be placed in the window accordingly.

Place the hinge in the corner of the recess, close to the front.

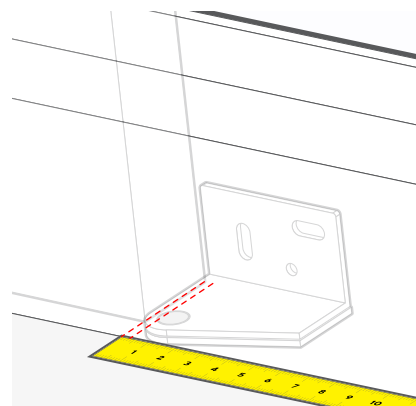
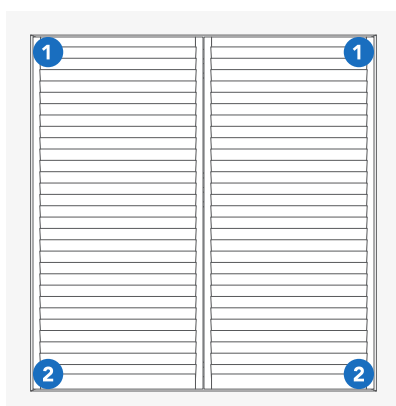
Swing the hinge open to access the screw holes more easily.

Use 2x 18.5mm screws per hinge to fix it into the recess.



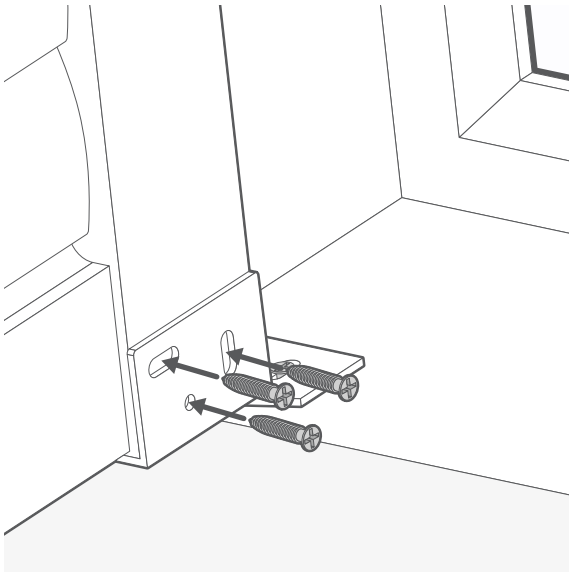
Each panel is supplied with 2 hinges. If your order contains only 1 panel then install the hinges on the side you requested when ordering.

If your order contains more than 2 panels, install the outer panels first. Then fit the hinges for the centre panel 3mm away from the edge of its neighbouring panel.



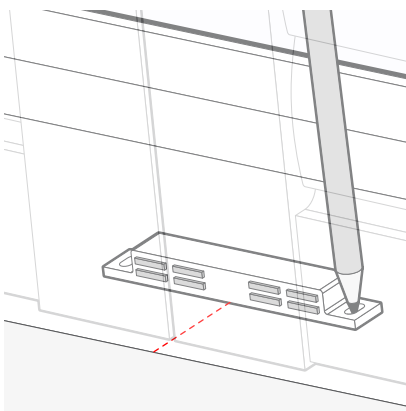
Install the shutter panels and magnets

2

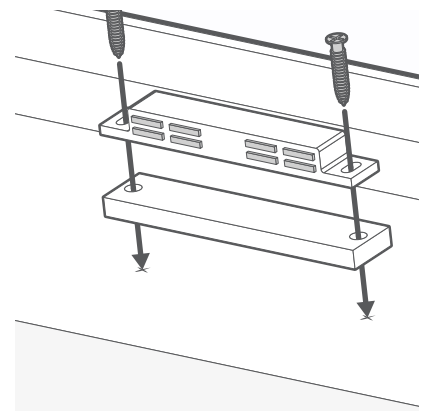
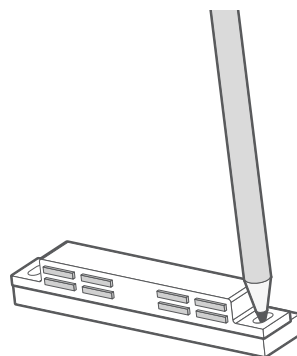


Hold the shutters up against the hinges and screw them into place using 3x 18.5mm screws per hinge.

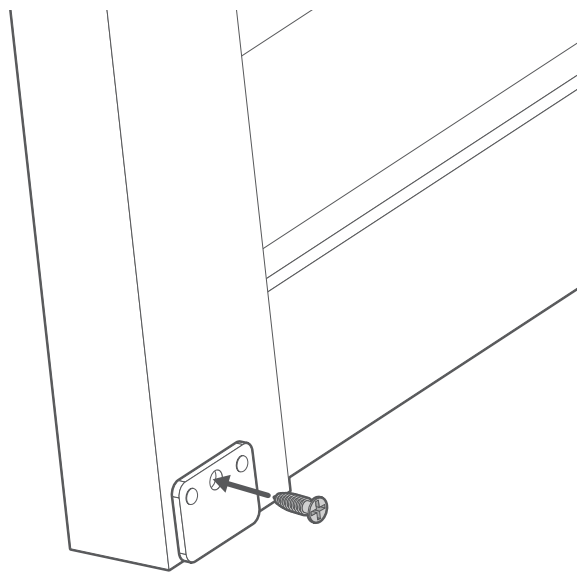
Use the centre point of your panels as a guide to line up your magnet. Mark the screw hole positions.



Make the same marks on your magnet riser, then pre-drill the holes in the riser. Use 2x 18.5mm screws to fix the magnet and riser to the recess, one at the top of the recess and one at the bottom.



NOTE: If you have any obstructions at the bottom of the recess (such as a window winder or protruding lock, for example) then you only need to install the magnet at the top of the recess.



Finally, attach the metal strike plates to the back of the shutter panels, so that they're in line with the magnets. Use 1x 12mm screw per plate.