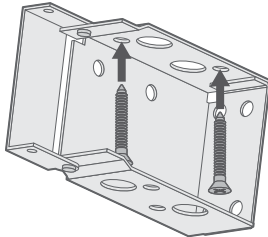


Fitting the brackets

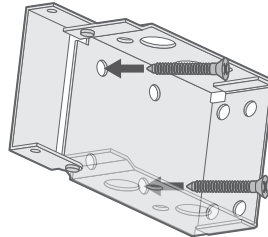
The brackets offer three methods of installation:

Top-Fixing



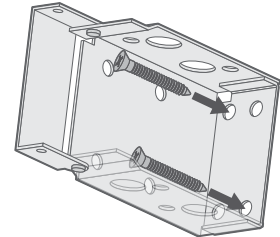
Where the brackets are screwed into the lintel (or 'ceiling' of the recess)

Side-Fixing

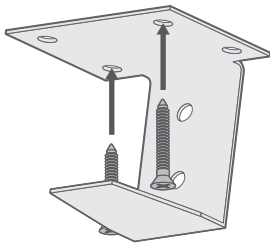


Where the brackets are screwed into the side walls of the recess

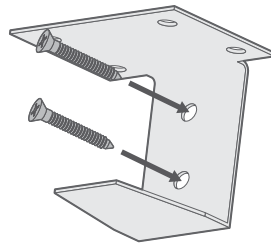
Face-Fixing



Where the brackets are screwed onto a facing surface (a wall or window frame)



Top-Fixing

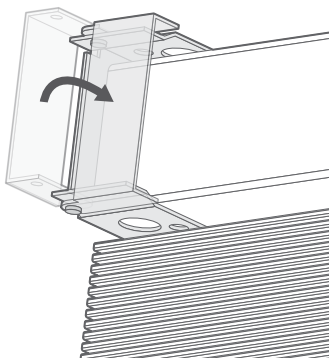


Face-Fixing

Wider blinds will be supplied with support brackets. These should be positioned towards the centre of the window area in-line with the box brackets. Make sure that the position of the support bracket is clear of any cords coming out of the headrail. Support brackets can be top-fixed or face-fixed.

Fitting the blind

If you are fitting the blind inside a recess, go to step 3 before step 2.

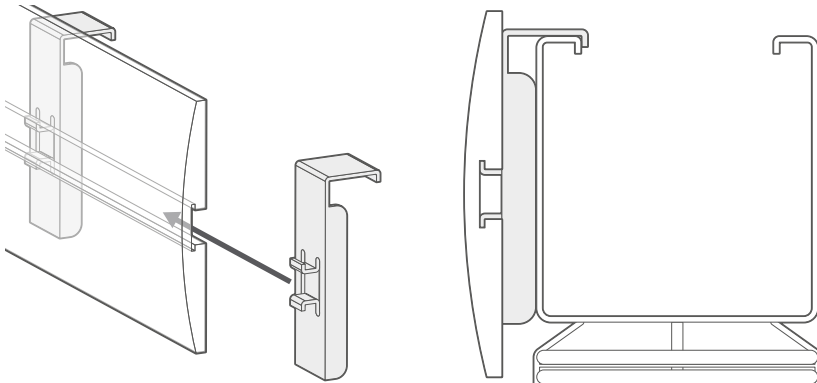


Lift the blind to the window and slot the headrail into the open brackets.

Swing the hinged section of the bracket closed and press firmly until it locks.

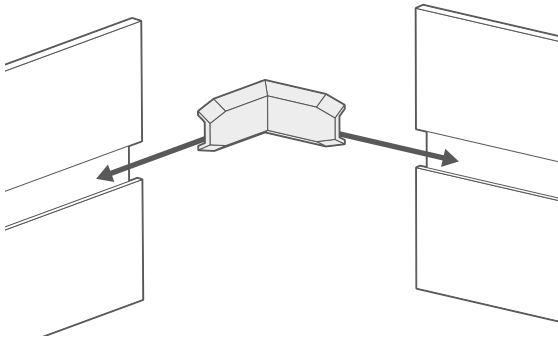
Fitting the pelmet

3



Slide the hooks on the back of the pelmet clips into the channel on the back of the pelmet. Space the clips evenly along the length of the pelmet.

Then simply hook the pelmet over the front of the blind's headrail.



Pelmets for 'Exact Fitting'

If you've ordered 'exact fitting' then the pelmet will be sent wider and mitred at the ends, with additional end returns to cover the brackets. Use the 'L' shaped plastic brackets from your fittings pack to attach the side returns to the pelmet.