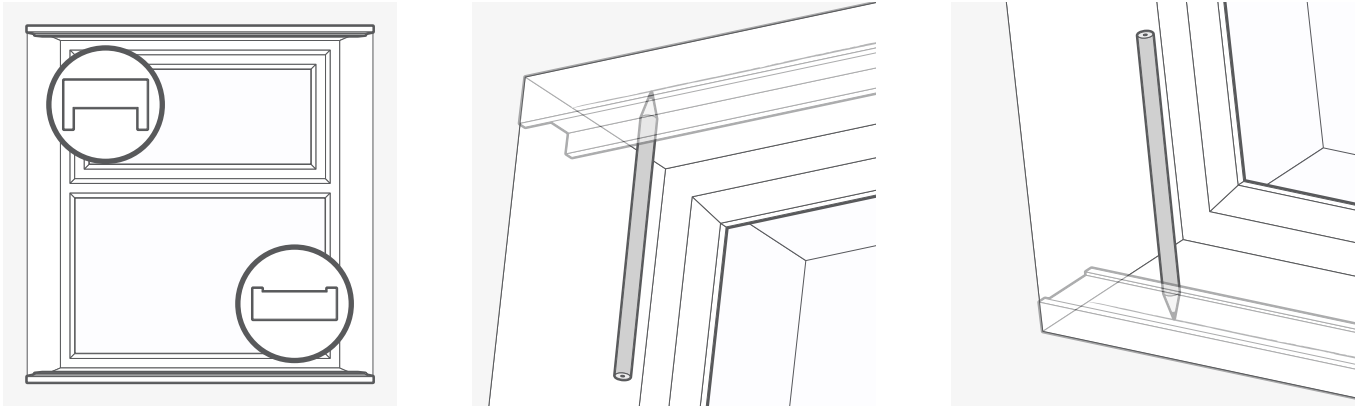


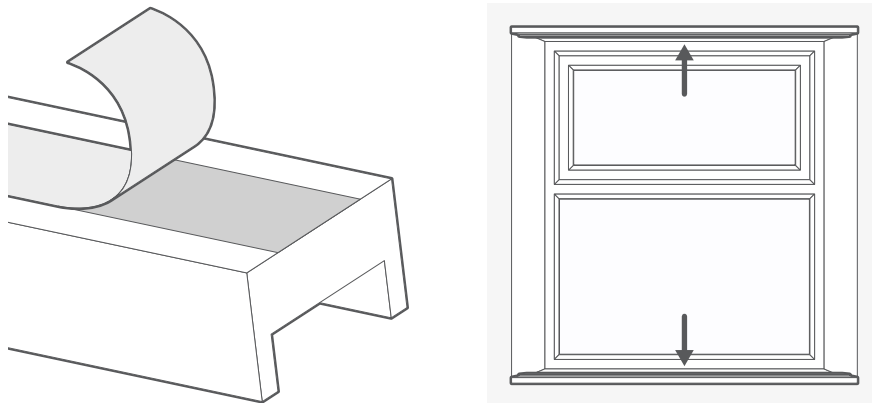
**Install the U-channels**

**1**

Place the top and bottom U-channels in the window, aligned with the front of the recess. When you're happy with their position, use a pencil to mark a line where the back of each channel will sit.



Take the channels back down and carefully peel the covers from the adhesive strips on each channel. Then, put the channels back in position, carefully lining them up with the marks you made before fully sticking them in place.



**Install the shutter panels**

**2**

Slot the shutter panel into the top channel at a slight angle. Push the bottom of the panel back into window until it slots into the bottom channel.

