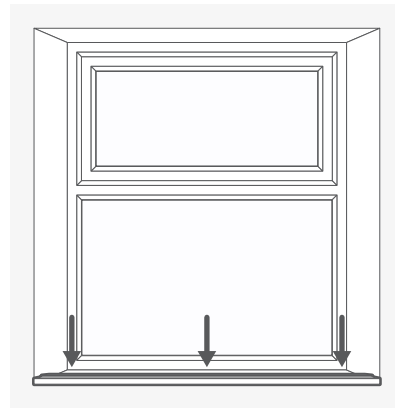
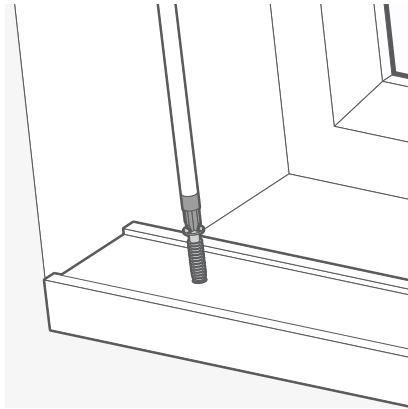


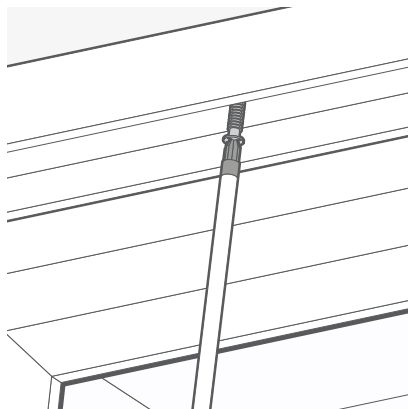
Install the U-channels

1

Install the bottom U-channel by screwing it directly into the sill / bottom of the recess, at the front. Use one screw roughly 50mm in from each end, with any others evenly spaced across the width.



Next, install the top channel in the same way. Start with the centre screw so that the channel is supported while you screw in the others. Space your screws in the same way as you did for the bottom channel.



Install the shutter panels

2

Slot the shutter panel into the top channel at a slight angle. Push the bottom of the panel back into window until it slots into the bottom channel.

