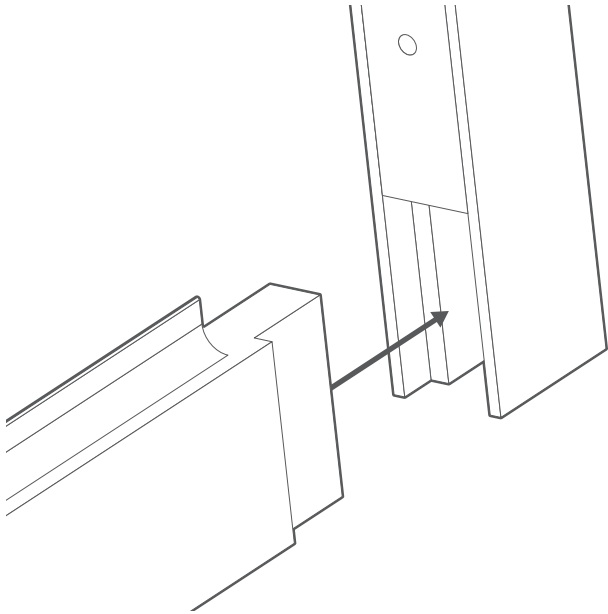


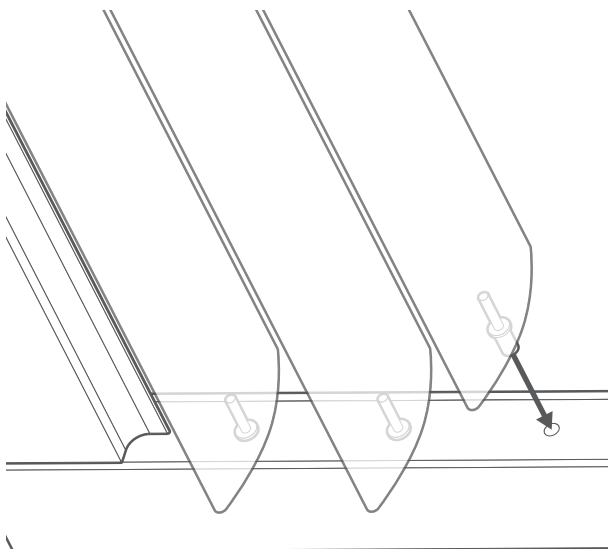
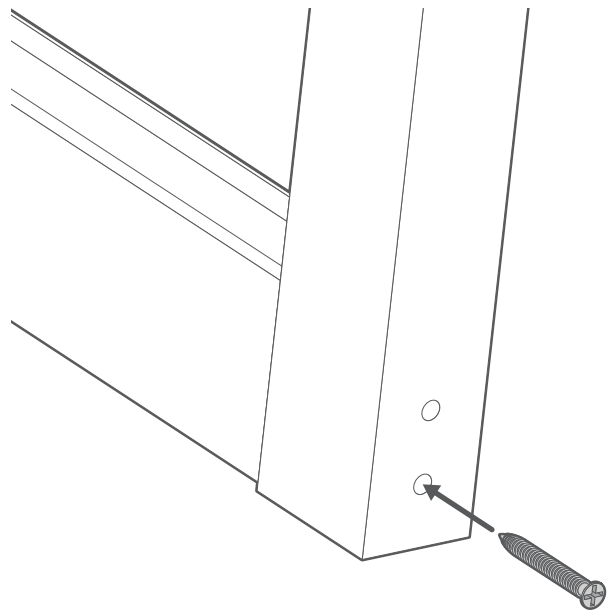
**Assemble the Shutter panels**

**1**

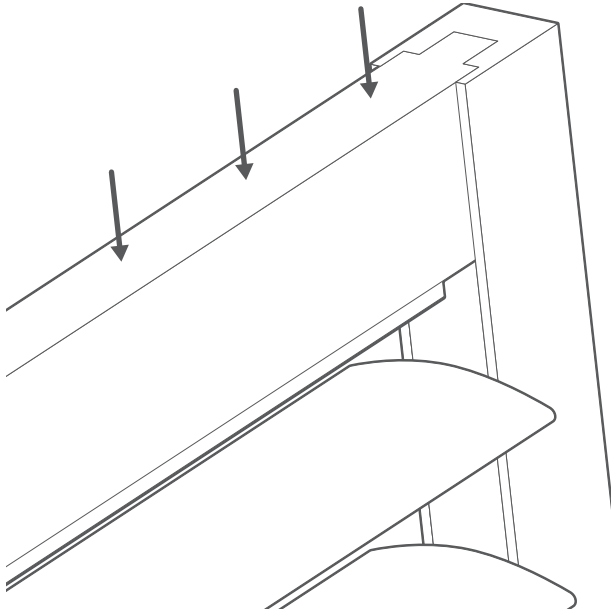


Slot the bottom bar into the side stiles. The end of the bar, and the inside of the slots in the stiles, are marked to help you locate them correctly.

Use one screw on each side to loosely hold the bar in place for now.

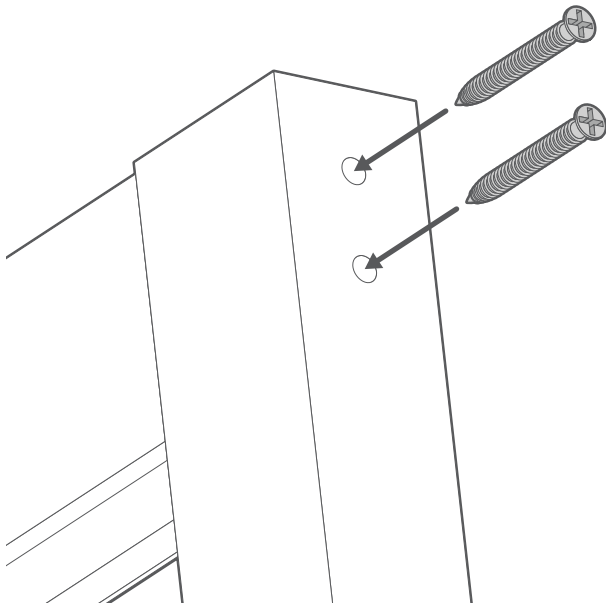
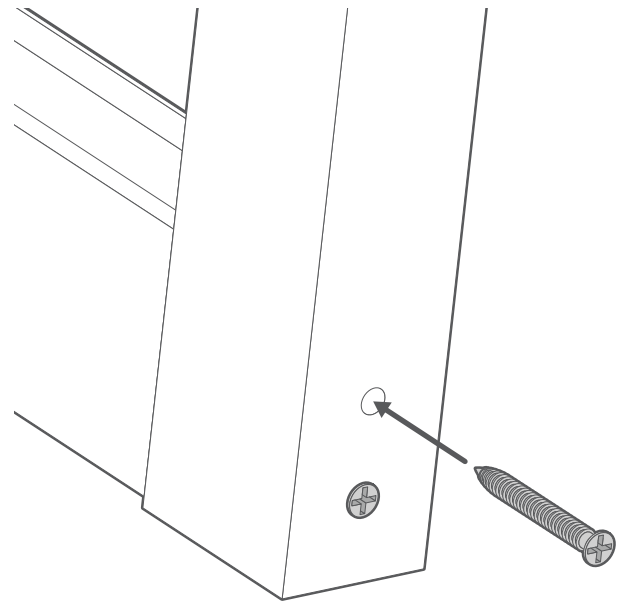


Rest the panel on its side and slot the louvres into place, locating the back half of each louvre pin into its corresponding hole on the stile.

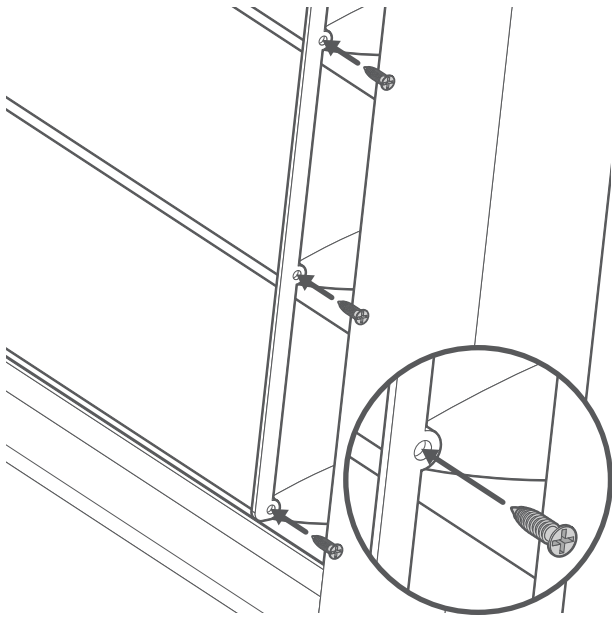


Straighten the panel and slot the top bar into place.

Screw in the remaining screw on each side for the bottom bars.



Secure the top bars using 2 screws per side.

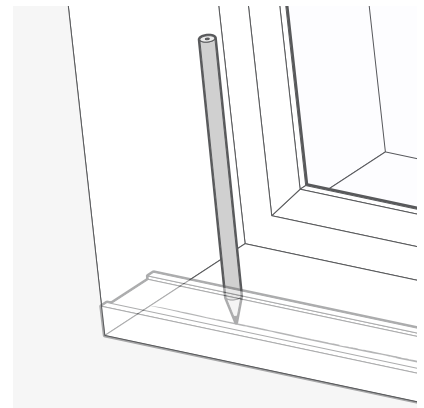
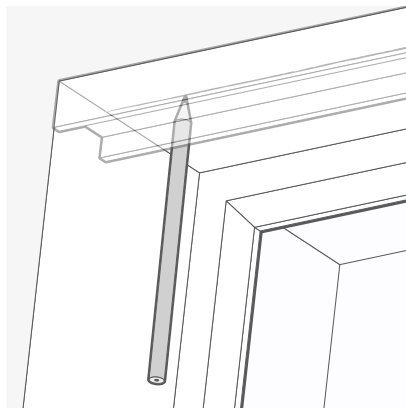
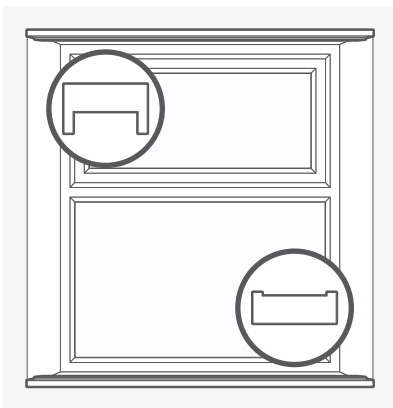


Take the hidden tilt bar and screw it into place on the back of the louvers, using the pre-drilled holes in the end of the louvers.

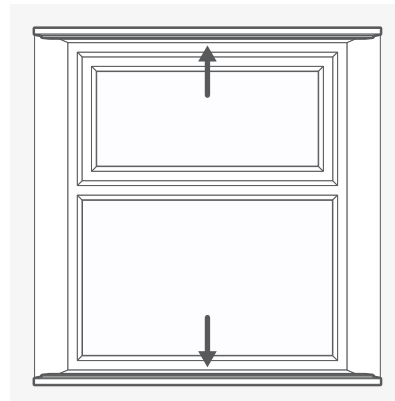
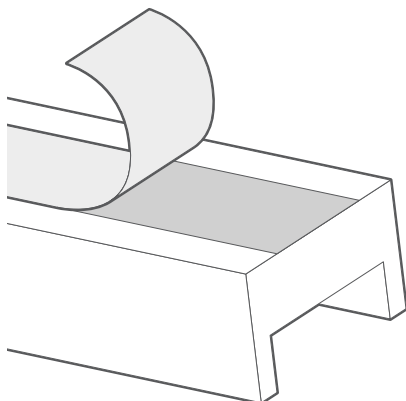
## Install the U-channels

2

Place the top and bottom U-channels in the window, aligned with the front of the recess. When you're happy with their position, use a pencil to mark a line where the back of each channel will sit.



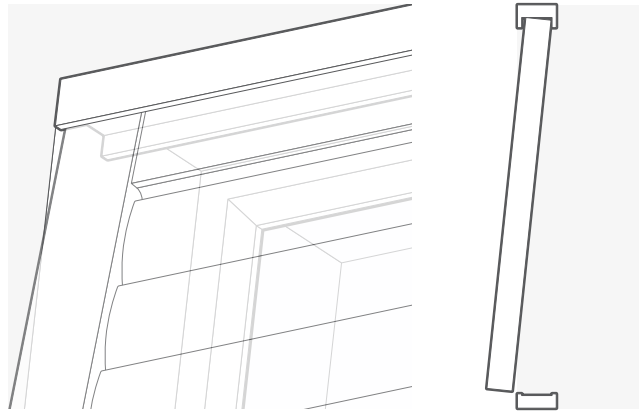
Take the channels back down and carefully peel the covers from the adhesive strips on each channel. Then, put the channels back in position, carefully lining them up with the marks you made before fully sticking them in place. Peel and attach each channel one at a time to reduce the risk of either of them being accidentally stuck to anything.



**Install the shutter panels**

**3**

Slot the shutter panel into the top channel at a slight angle.



Push the bottom of the panel back into window until it slots into the bottom channel.

