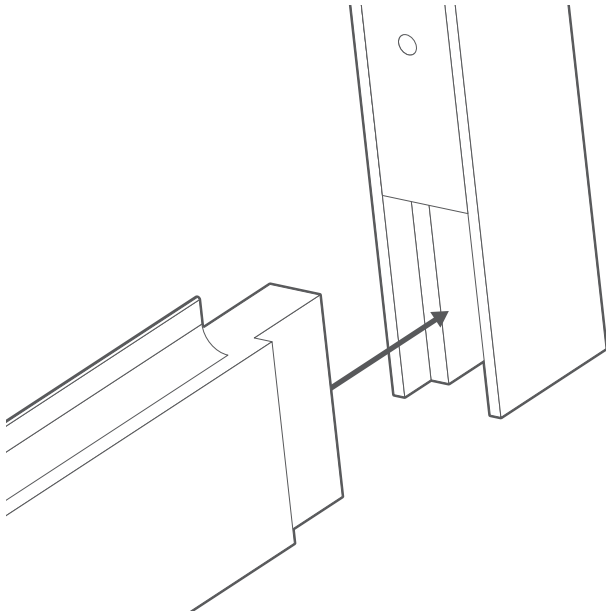


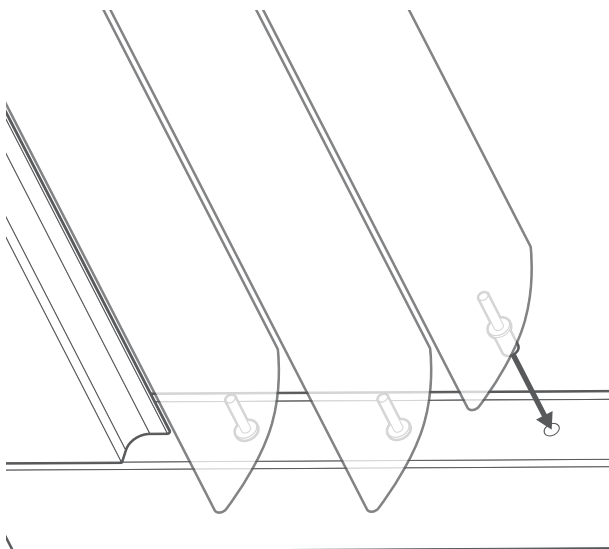
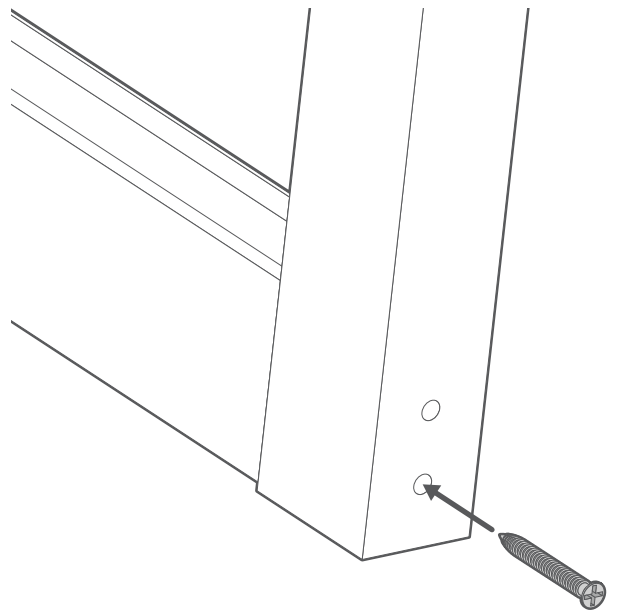
Assemble the Shutter panels

1

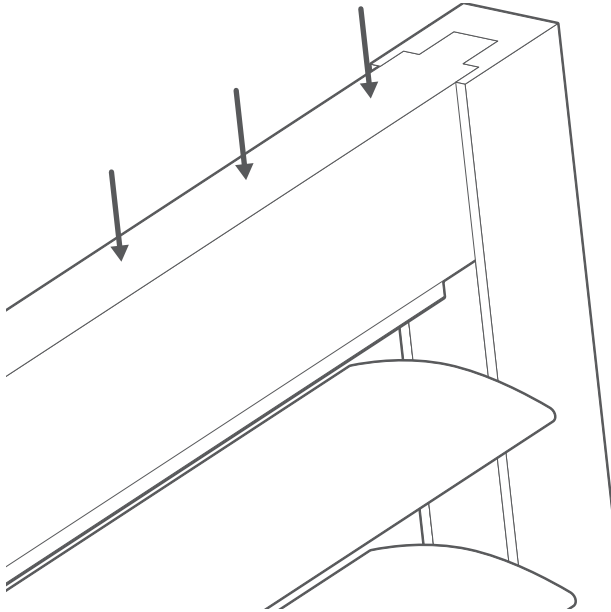


Slot the bottom bar into the side stiles. The end of the bar, and the inside of the slots in the stiles, are marked to help you locate them correctly.

Use one screw on each side to loosely hold the bar in place for now.

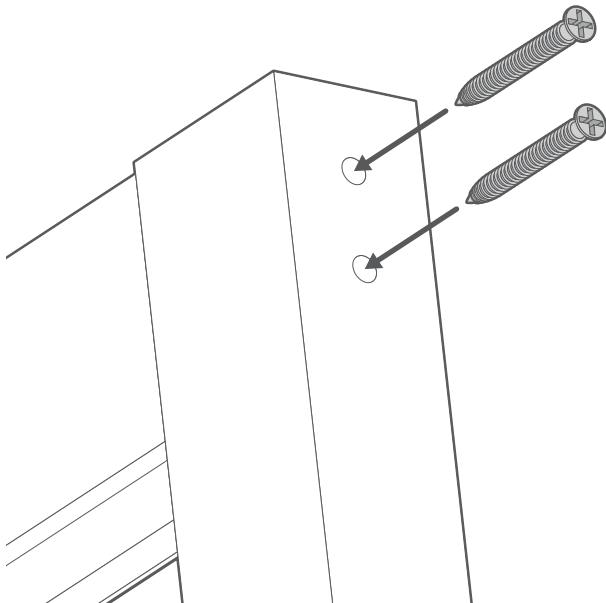
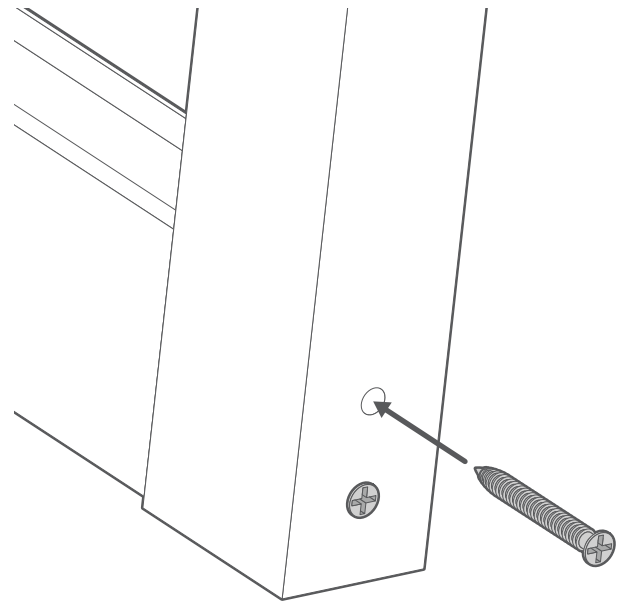


Rest the panel on its side and slot the louvres into place, locating the back half of each louvre pin into its corresponding hole on the stile.

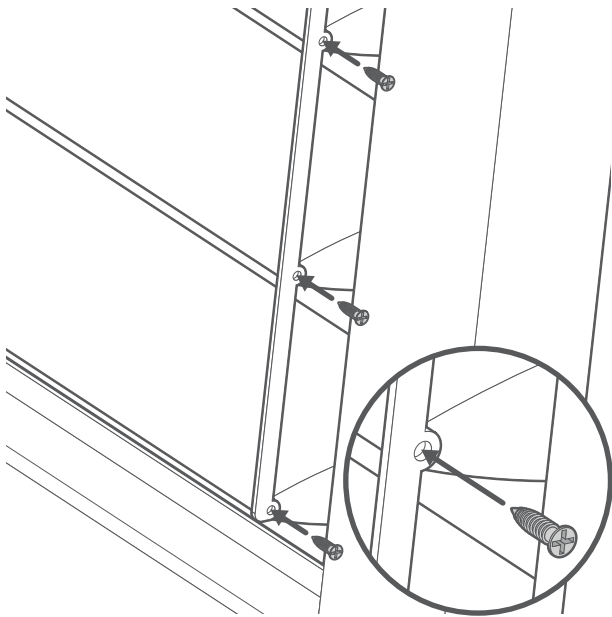


Straighten the panel and slot the top bar into place.

Screw in the remaining screw on each side for the bottom bars.



Secure the top bars using 2 screws per side.

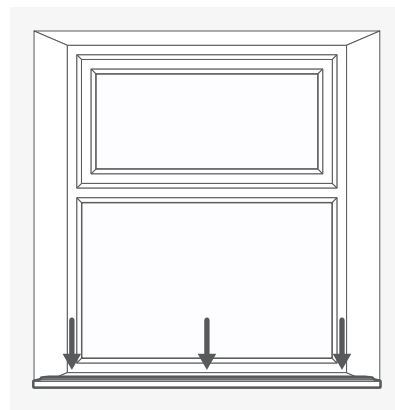
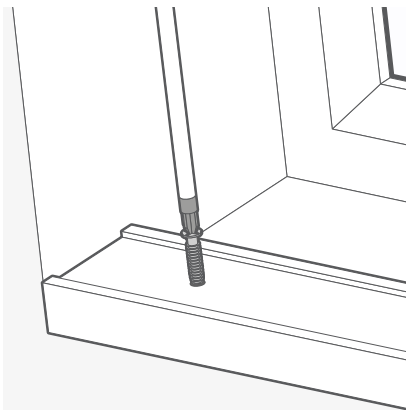


Take the hidden tilt bar and screw it into place on the back of the louvres, using the pre-drilled holes in the end of the louvres.

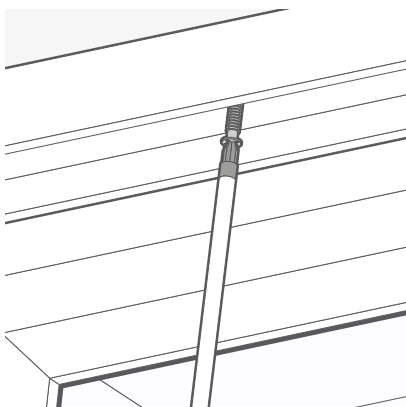
Install the U-channels

2

Install the bottom U-channel by screwing it directly into the sill / bottom of the recess, at the front. Use one screw roughly 50mm in from each end, with any others evenly spaced across the width.



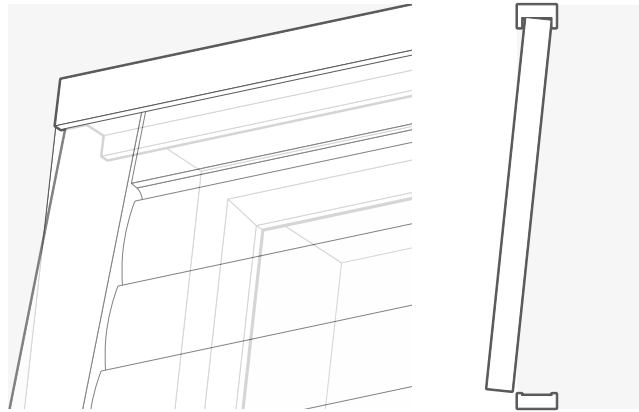
Next, install the top channel in the same way. Start with the centre screw so that the channel is supported while you screw in the others. Space your screws in the same way as you did for the bottom channel.



Install the shutter panels

3

Slot the shutter panel into the top channel at a slight angle.



Push the bottom of the panel back into window until it slots into the bottom channel.

