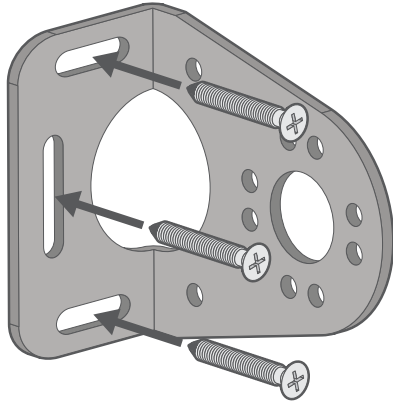


Assemble & mount the brackets

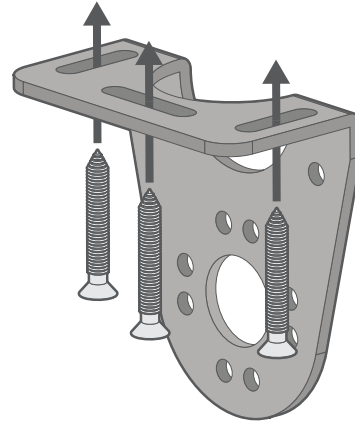
1

The brackets offer 2 methods of installation:



Face-fix

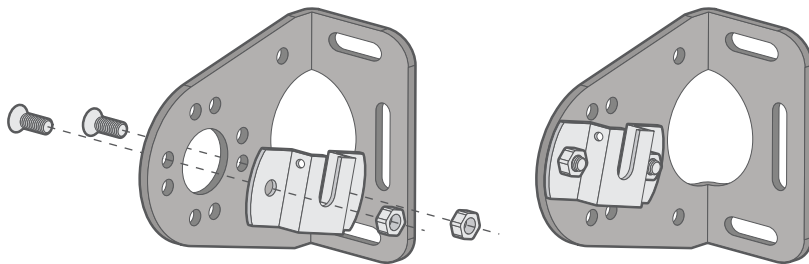
Screw the brackets onto the wall facing you.



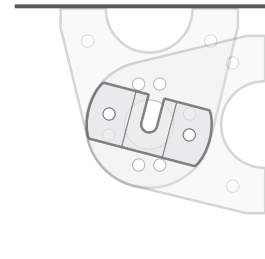
Top-fix

Screw the brackets into the lintel.

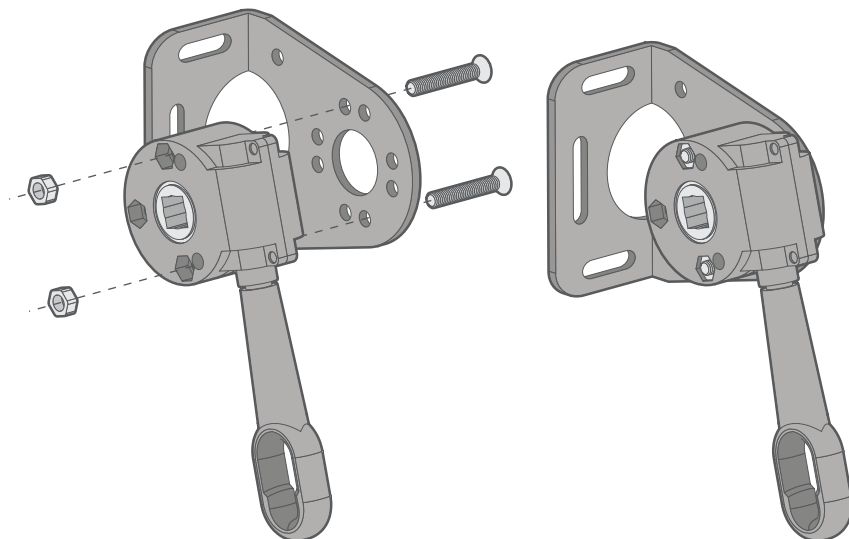
Attach the roller plate and crank to the brackets:



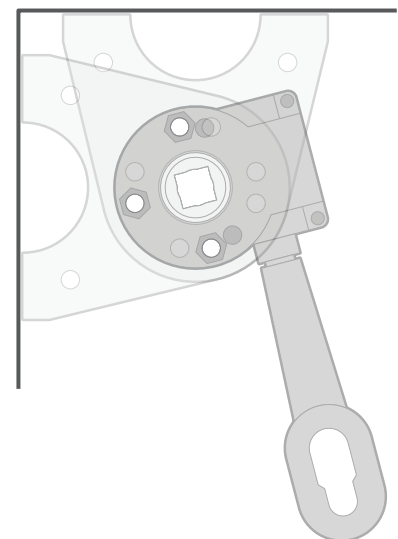
Use two nuts and two short bolts to attach the roller plate to the inside of one bracket.



The roller plate should be fitted so that it's angled back slightly toward the wall.



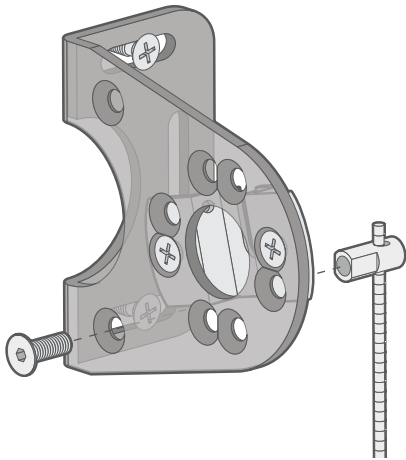
Use two nuts and two long bolts to attach the crank to the inside of the other bracket.



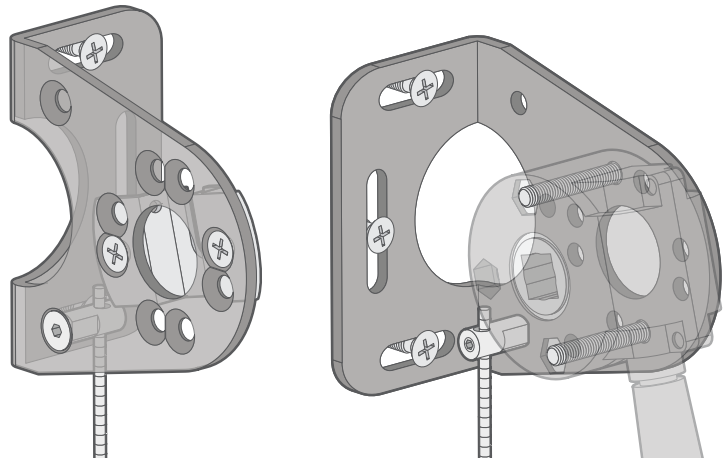
The crank should be fitted so that the rod points out slightly toward you.

Fit the wire guides

2

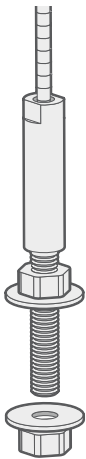


Unwrap the wire guides, and attach them to the brackets.

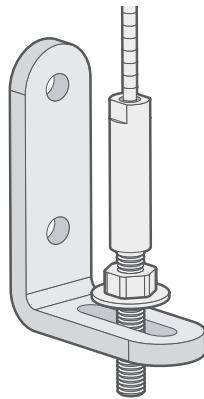


The guides should attach to the rearmost hole on the inside face of the bracket.

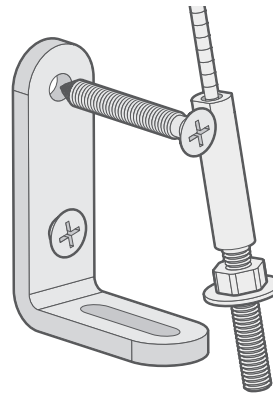
Secure the wire guides at the bottom using the L-shaped brackets provided:



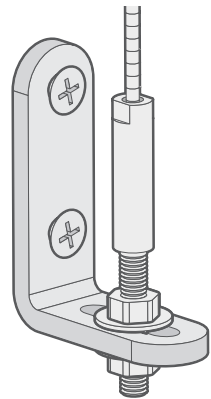
Remove the lower nut and washer from the screw section on the end of the wire guide.



Slide the long slot of the bracket onto the end of the guide and hold it so that the guide is taut and straight.



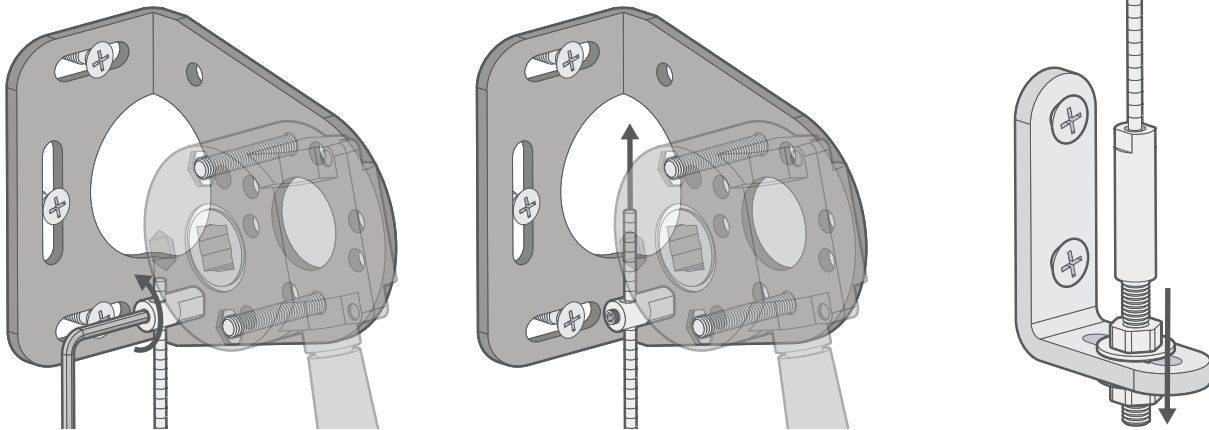
Mark the screw holes for the bracket, then screw the bracket into place.



Ensuring the guide wire is straight, screw the lower nut back onto the bottom of the screw section and tighten both nuts to secure the guide.

Top Tip

Hold a spirit level against the guide wires to ensure they're straight before you fix them in place.



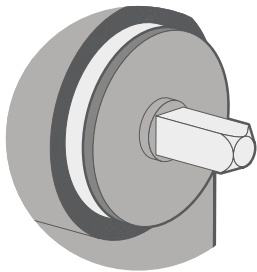
Using a small hex key, loosen the retaining screw on the inside of the top bushes, then use a small pair of pliers to pull the guide wire up until it is taut. Hold the wire in place with your pliers while you tighten the retaining screw again to secure it.

Tighten the two nuts at the bottom of the guide wire to ensure that each wire is as taut as possible.

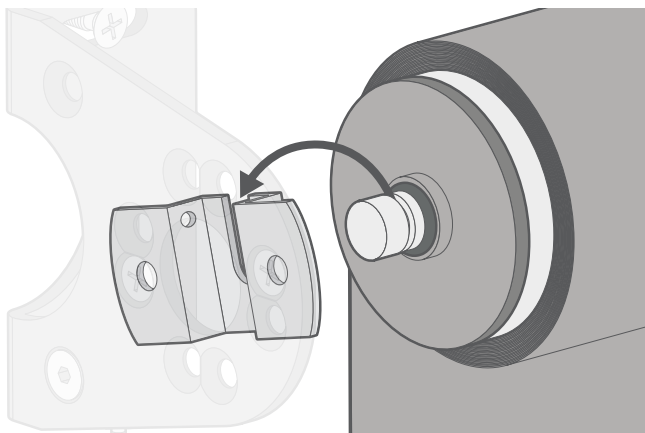
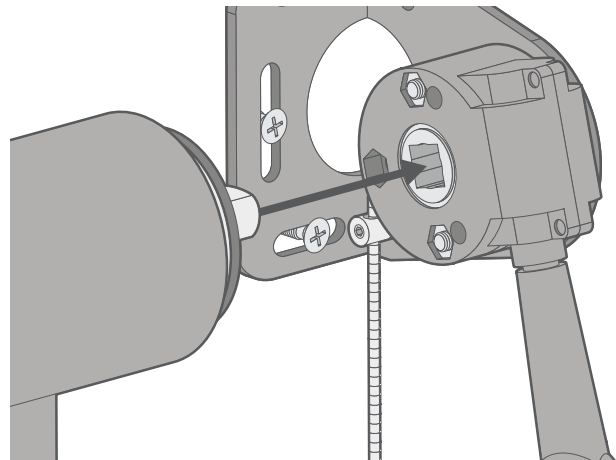
Use wire cutters to trim off any excess wire above the top bush - **make sure though to leave around 30mm of excess wire, just in case future adjustments are needed.**

Fit the blind

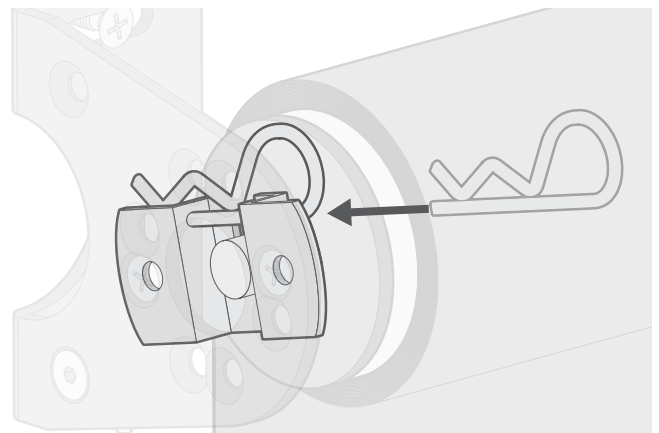
3



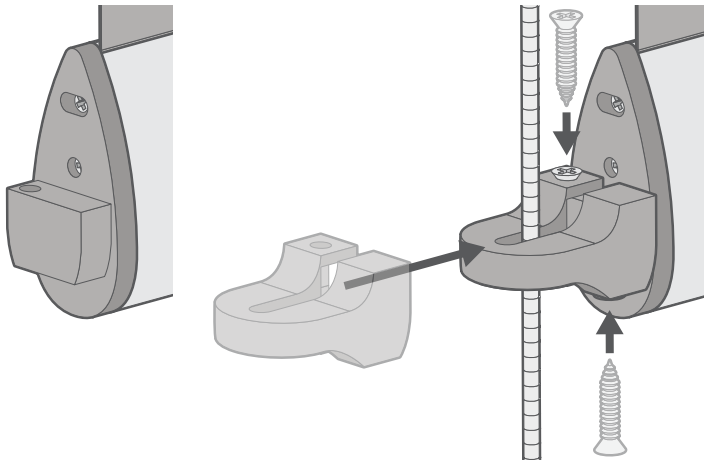
Take the roller and slot the square peg on one end into the square slot on the inside face of the crank mechanism.



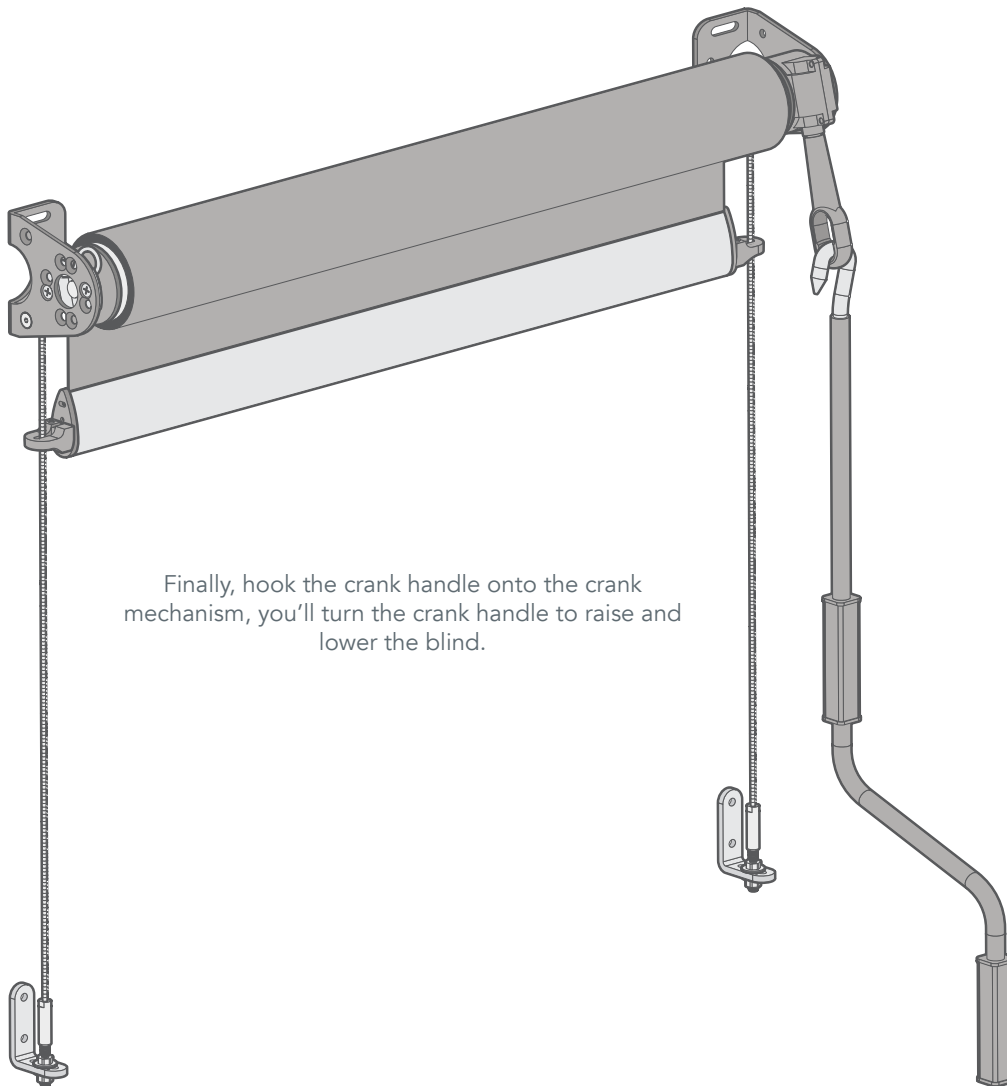
Slot the roller pin into the other end of the blind, then lift and locate the pin into the roller plate you fitted to the bracket.



Then, insert the R-pin into the roller plate to fully secure the roller pin.



Slot the guide runners over the wire guides and onto the pegs on the ends of the blind's bottom bar. Screw the guides into place using the small screws provided.



Finally, hook the crank handle onto the crank mechanism, you'll turn the crank handle to raise and lower the blind.

Top Tip

For orders containing 1 to 3 blinds, 1 crank handle will be supplied. For orders containing 4 or more blinds, 2 crank handles will be supplied. **We recommend removing the crank handle from any blinds whilst not in use.**

