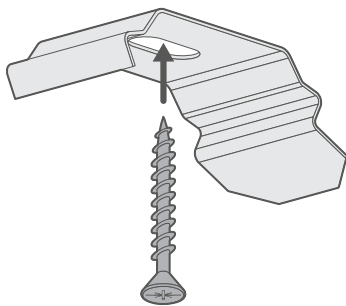


**Fitting the brackets**

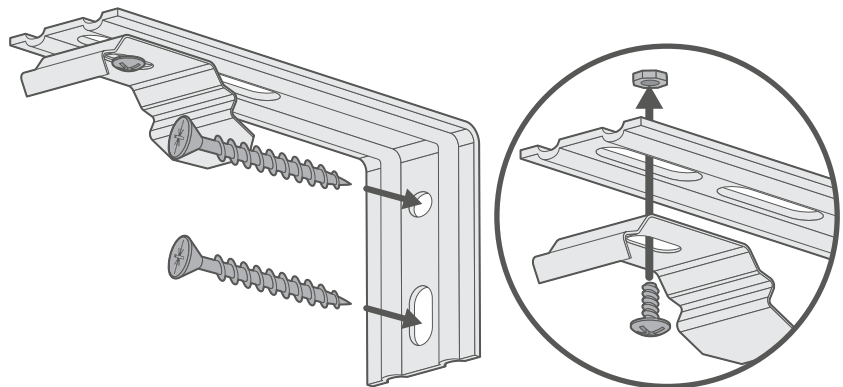
**1**

The brackets offer two methods of installation:



**Top-Fixing**

Where the brackets are screwed into the lintel (or 'ceiling' of the recess)

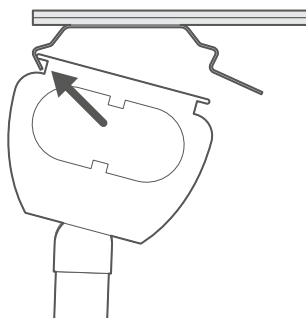


**Face-Fixing**

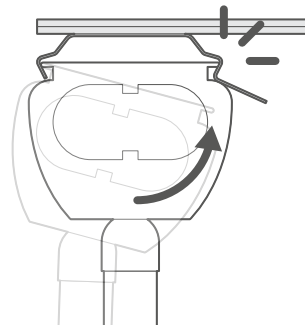
Where the brackets are screwed onto a facing surface (a wall or window frame)

**Fitting the track**

**2**



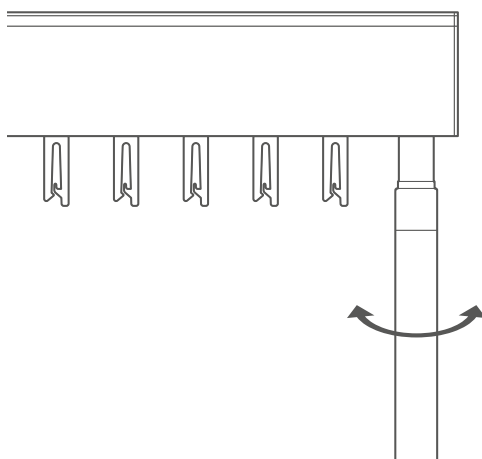
Rest the front lip of the headrail in the front lip of the bracket.



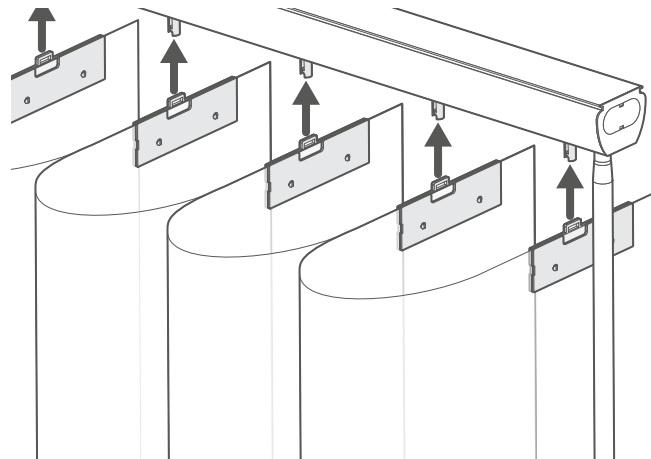
Then twist the back of the headrail upwards until it snaps into place in the rear hook of the bracket.

**Hanging the fabric**

**3**



Twist the control wand to turn the hooks so that their 'open' part is facing into the room.



Take the louvres and click the hangers into the hooks on the headrail, working along from one end to the other.