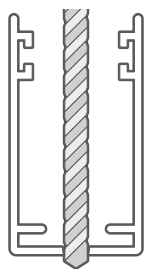
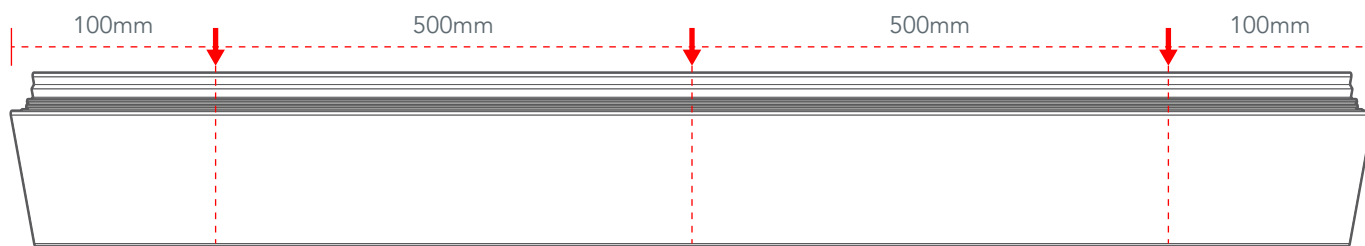


Drill the side frames

1



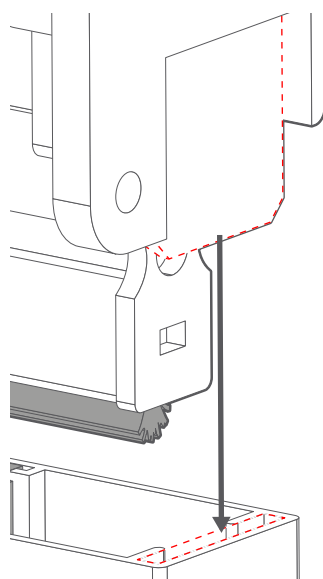
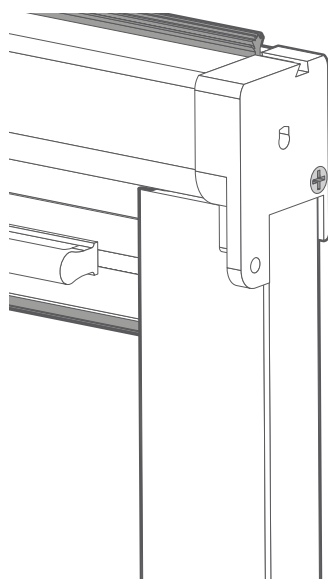
Start by making some holes for screwing in your side frames. Make a hole 100mm in from each end, then one approximately every 500mm (this doesn't have to be precise, as long as the holes are evenly distributed along the length of the side frames).

Top-Tip

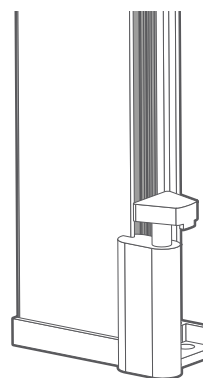
Rest the side frame on a piece of wood or several layers of cardboard when drilling through them, to avoid your drill damaging the floor beneath.

Assemble the blind

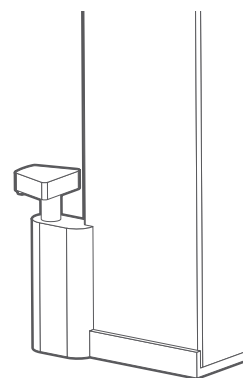
2



Slot the side frames onto the ends of the cassette - there is a slot at the top of the frame you can use to line it up correctly with the end of the cassette.



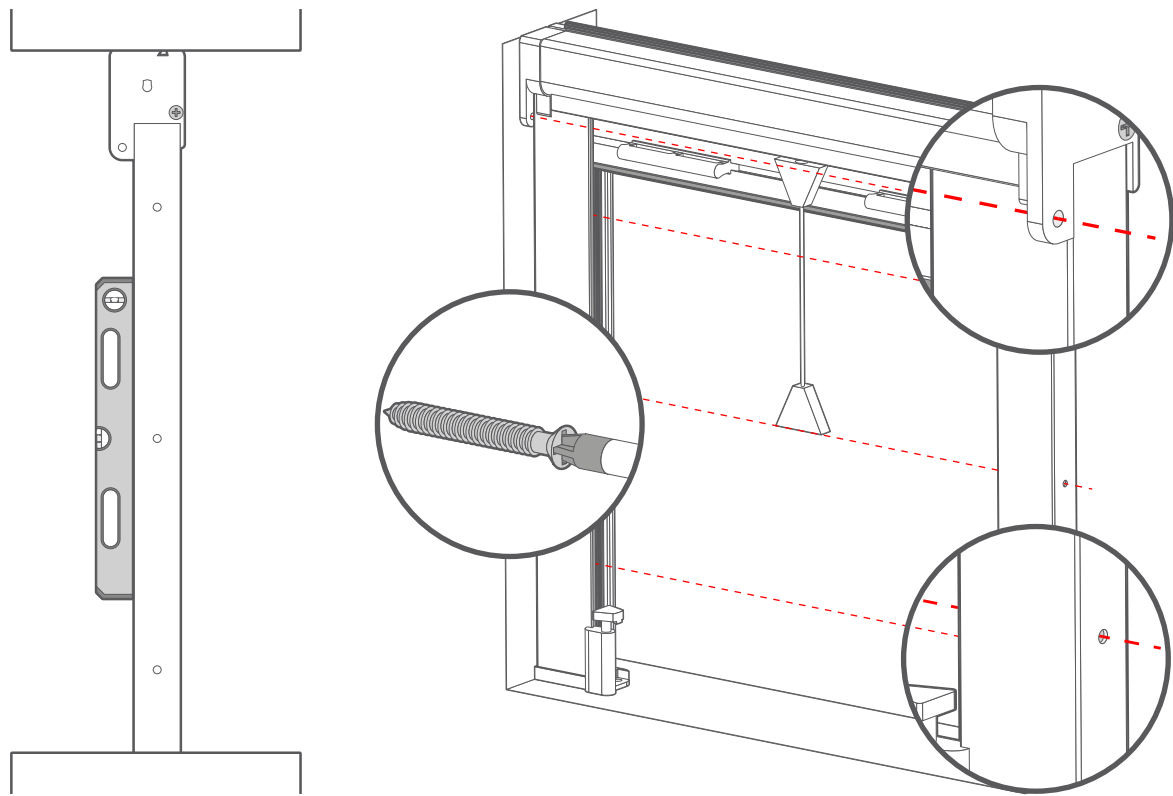
Left frame



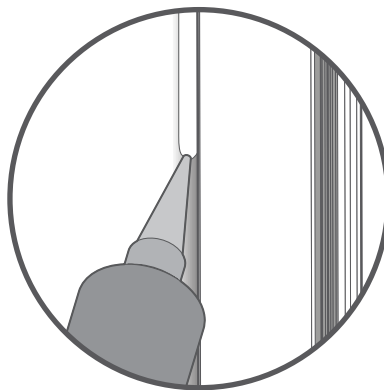
Right frame

Install the blind

3



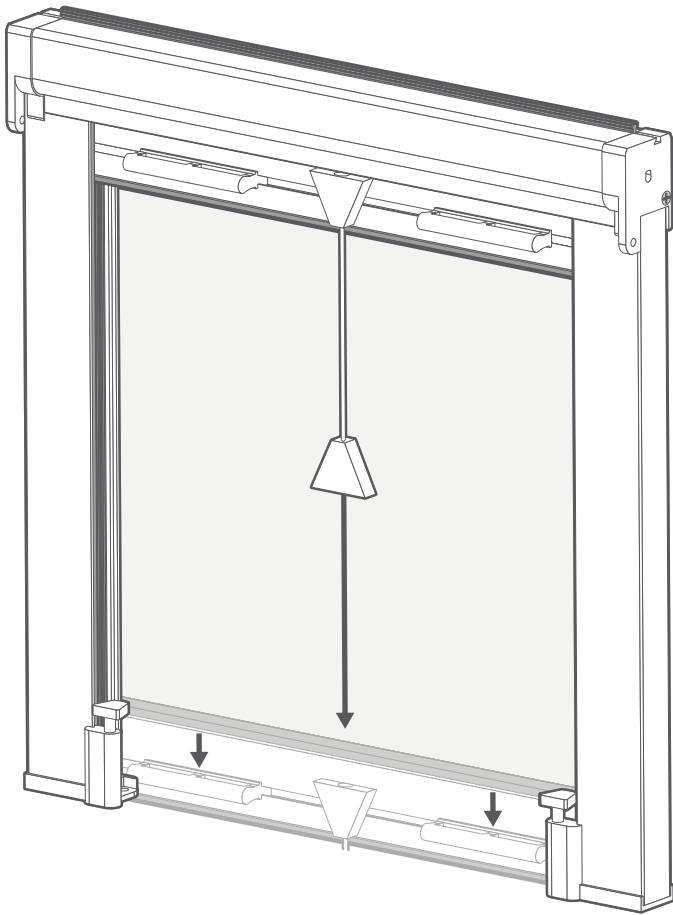
Place the screen in position in the recess, using a spirit level to make sure it's straight. Secure the blind with screws - start by securing the headrail using the screw holes in the end caps at either end. Next, secure the side frames with a screw at the bottom of each frame. Add screws through the remaining screw holes in the side frames to finish.



As a finishing touch, you can use a line of sealant down the side of each side frame to plug any small gaps.

Operating the blind

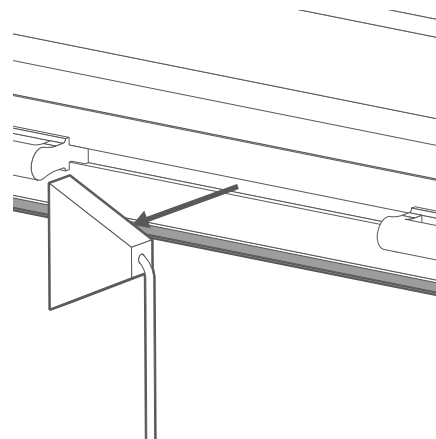
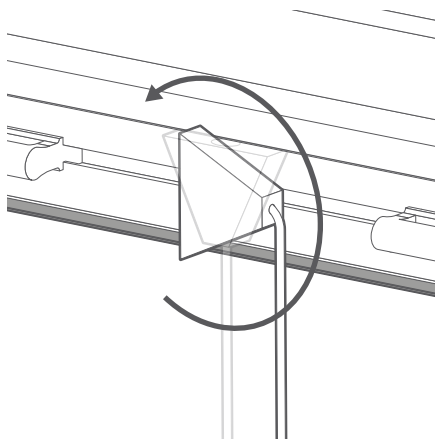
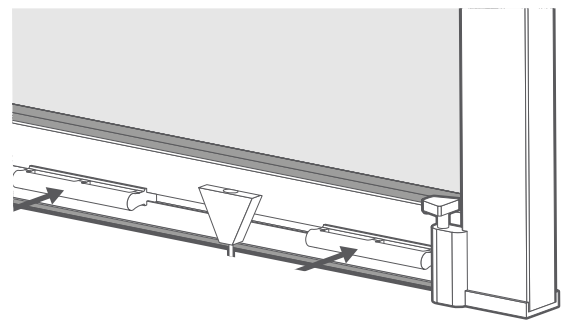
4



The blind uses a spring-loaded mechanism to self-raise.

Use the pull cord to lower the blind, then push down on the handles to lock it at the bottom.

Push back against the handles to unlock the blind and allow it to raise.



If you'd prefer not to have the pull cord on the front of the blind, this can be easily removed. Simply twist the cord mount on the front of the bottom bar in either direction then pull it out of the bar. Now the bar can simply be raised and lowered using the two handles.