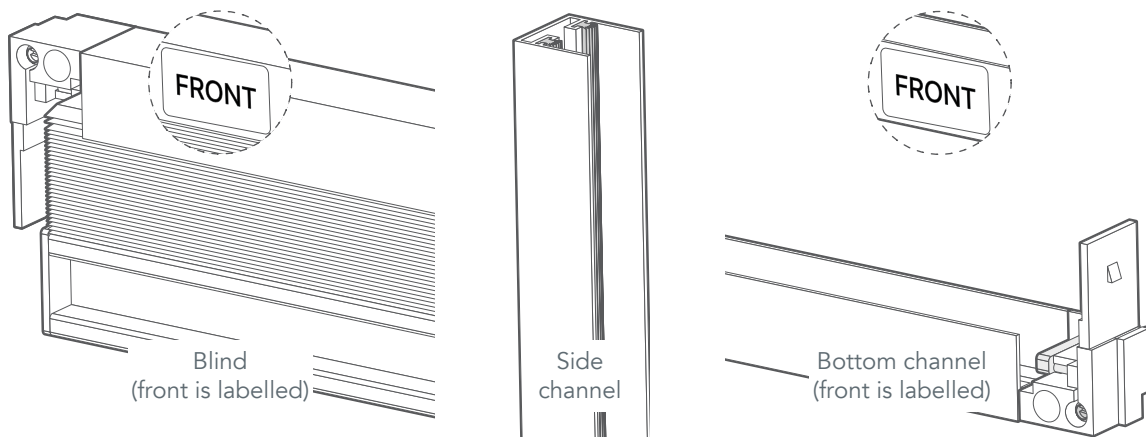
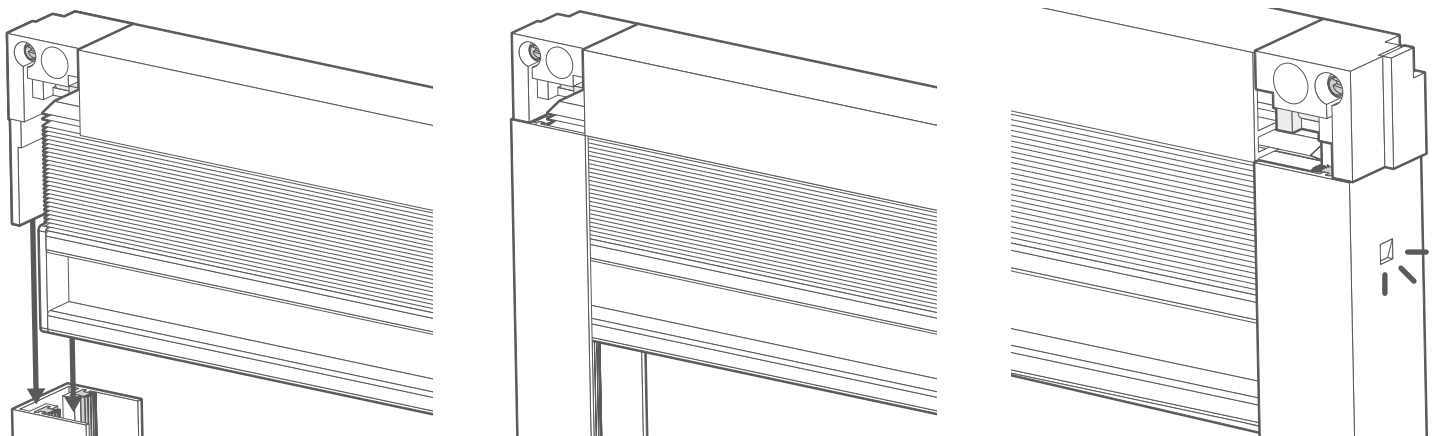


**Assemble the frame**

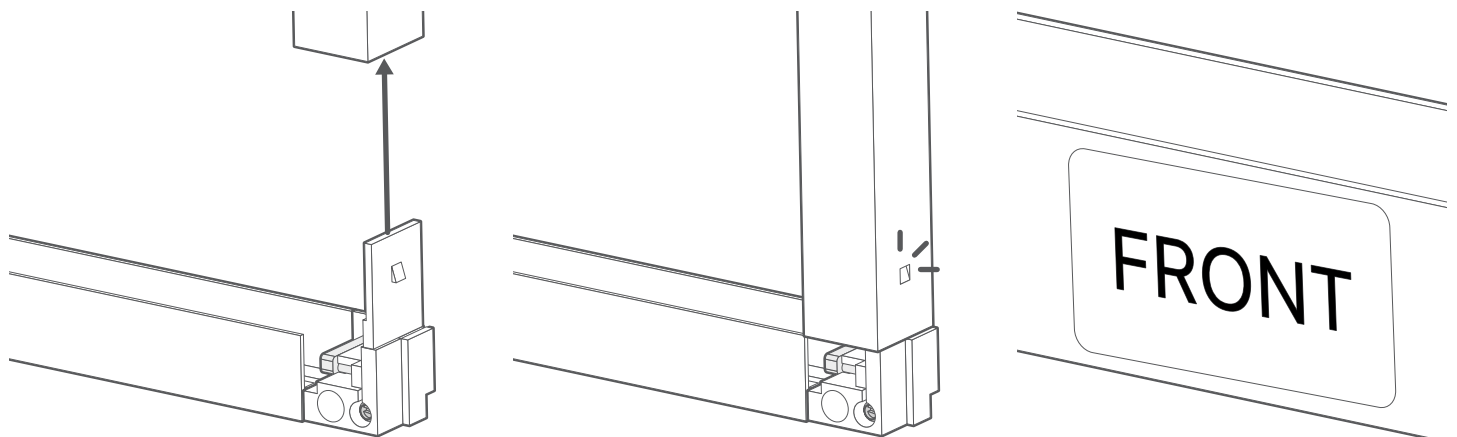
**1**



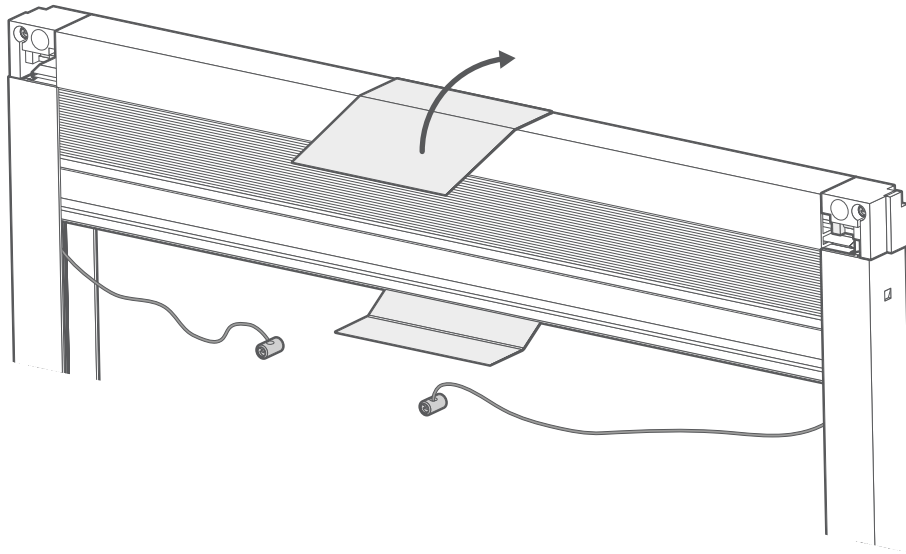
The side channels will slot onto the pegs of the corner pieces. The corner pieces are already slotted into the ends of the blind and the bottom channel for you. Note the 'FRONT' labels on the blind and bottom channel, which we'd recommend leaving in place until the installation is complete.



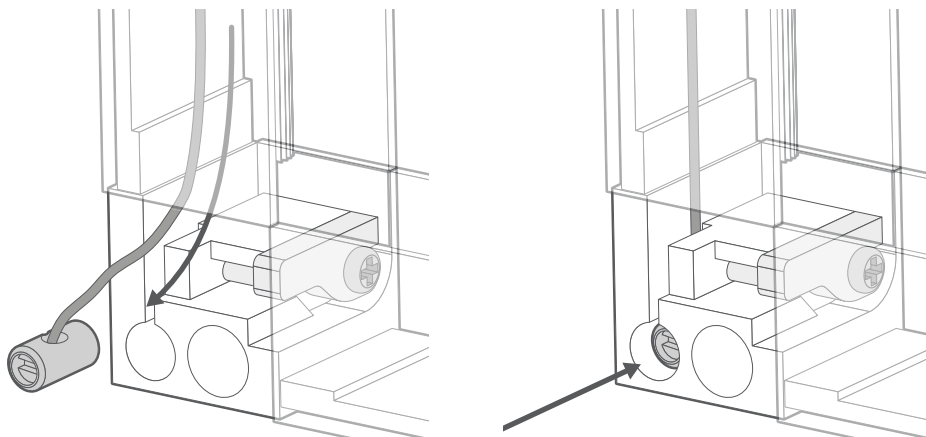
Lay the blind face-up on a clean, flat surface. Slot the side channels onto the blind's corner pieces - they are intentionally a tight fit, so you may have to push quite hard to slot them securely into place (twisting the channels a little as you push also helps). You should hear the corner piece 'click' into place when pushed in far enough.



Now slot the bottom channel onto the side channels in the same way. Note that the 'FRONT' labels should be facing you as you put the blind together.



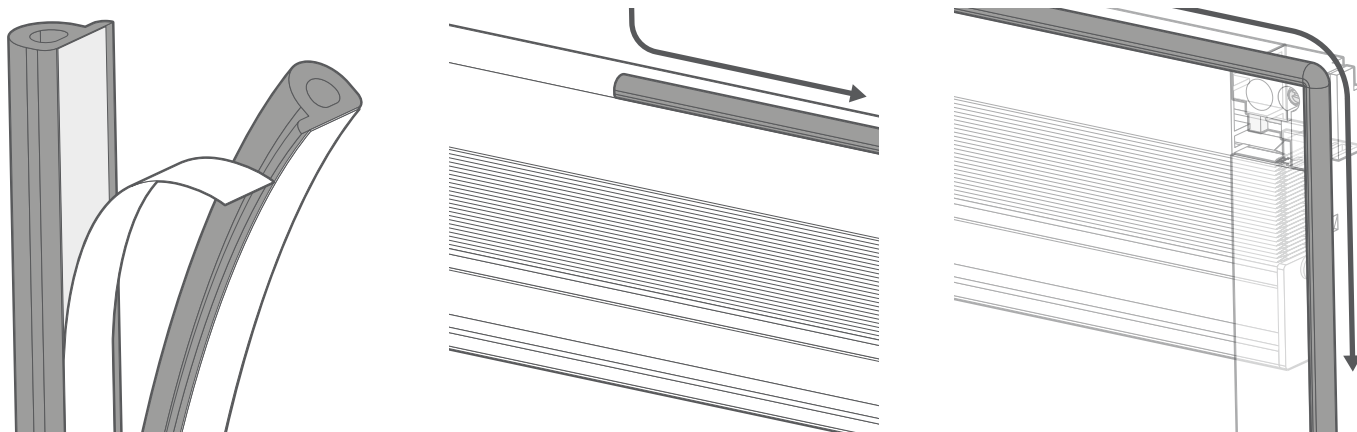
Remove the wrapping from the blind to release the cords. The wrapping can be disposed of.



On both sides, feed the cord down and out the bottom of the side channel. Then, insert the barrel on the end of the cord into the outermost hole in the bottom corner piece. Insert the barrel so that the inset tightening screw is facing you.

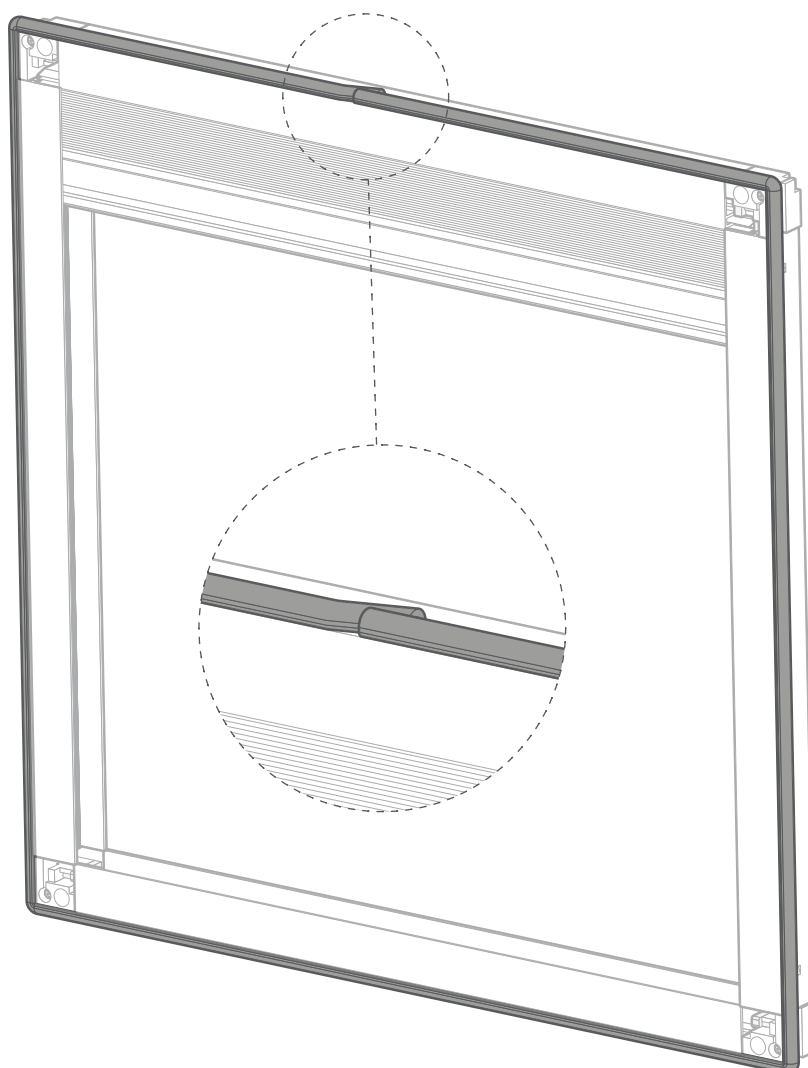
**Install the blind - inside recess**

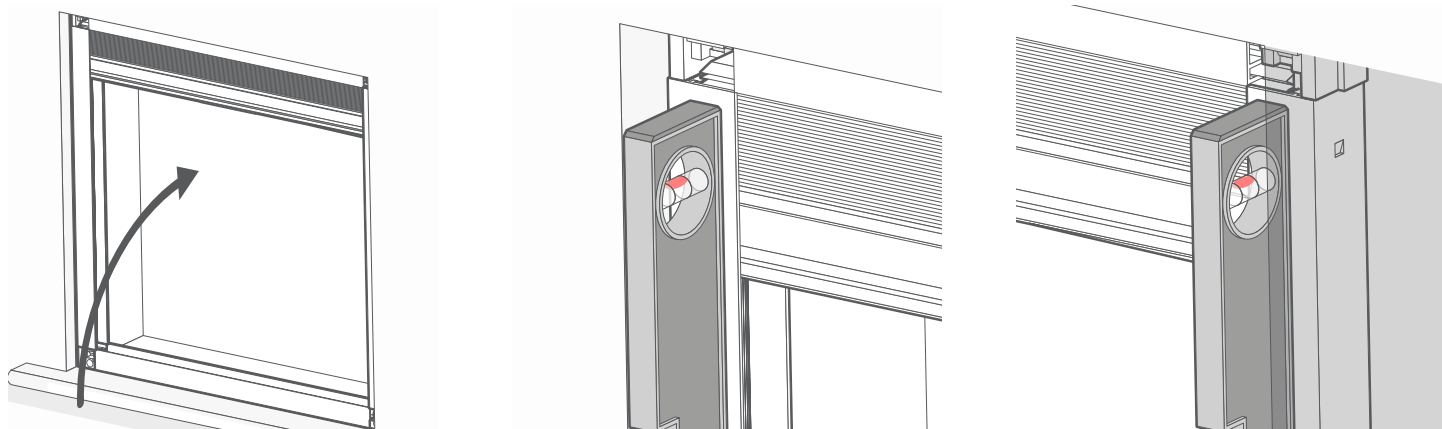
**2**



Start by fitting the light sealing strip to the blind. The strip is provided on a long roll with its two halves joined together. Split the two halves, peel the adhesive cover from one end and stick it to the blind's frame. The strip should attach to the outer surface of the blind's frame, with its rounded front aligned with the front edge of the frame.

Start around the centre at the top of the blind; stick it all the way around the blind, folding it over each corner, until it returns to where you started. Overlap the end of the strip behind the start of the strip by a few centimetres, trimming off the excess. Keep the excess to one side for now in case you need it later.

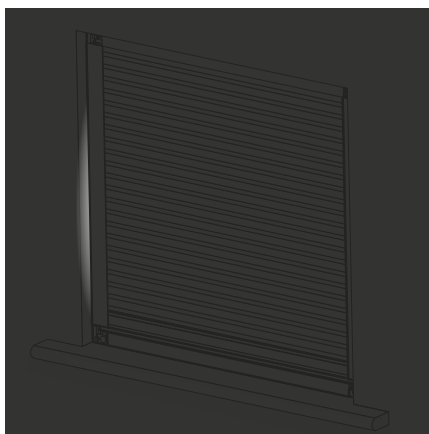




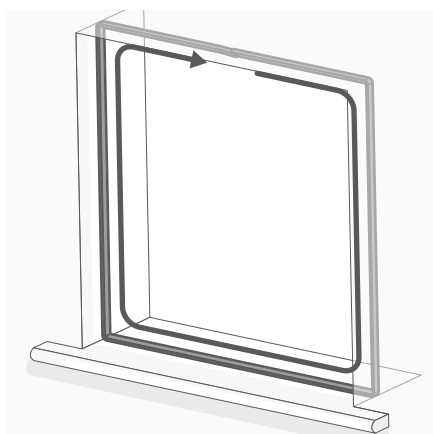
Lift the assembled blind and slot it into place inside the recess, making sure that it's straight and level. Use a spirit level on both sides of the blind to make sure there's no tilt or twist to it.

### IMPORTANT

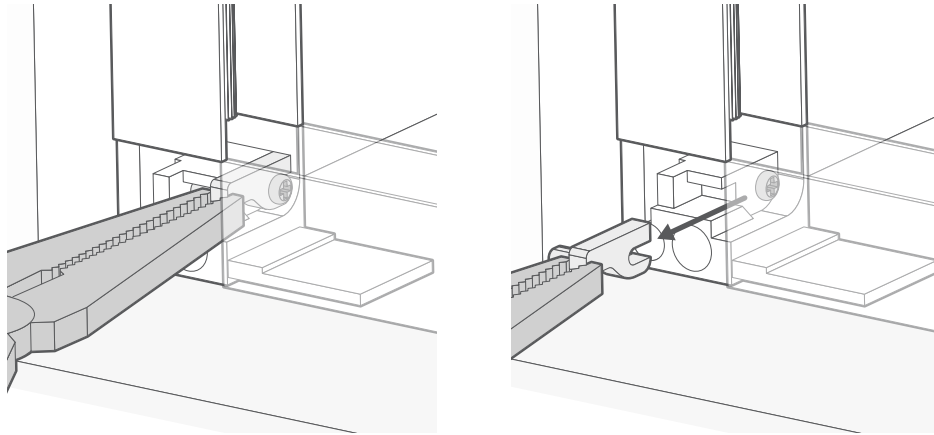
There must be a gap of at least 50mm between the back of the blind and the window, to avoid thermal buildup.



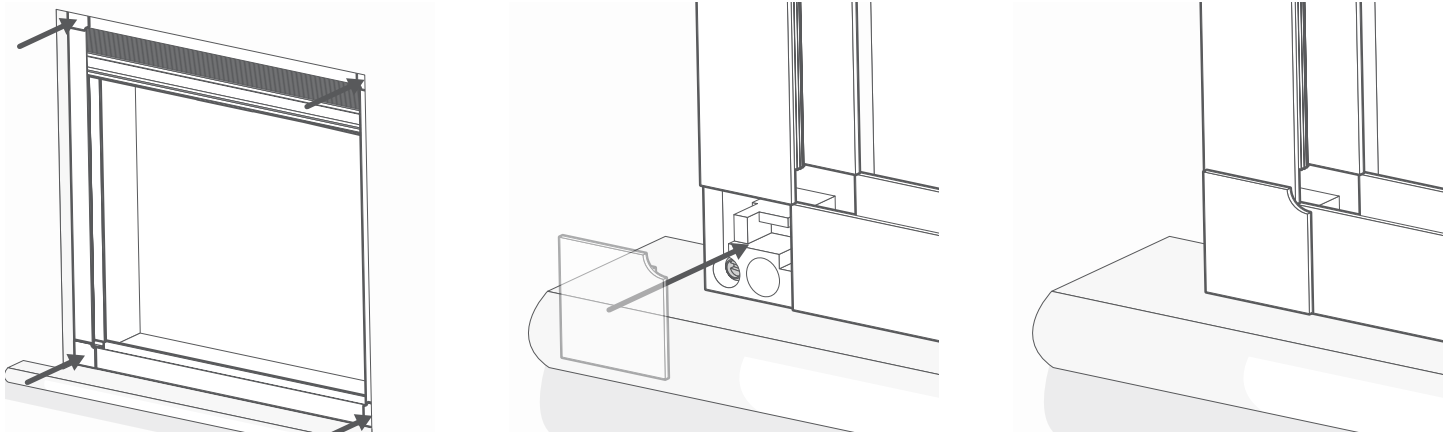
Most recesses are not perfectly straight and level, so before going any further, pull the blind's handle down until the blind is fully lowered. If you notice any light leakage around the light seals, there should be enough excess seal left over for you to remedy this by attaching a matching strip to the inside of the recess at the back of the blind.



Take the blind back down from the window and stick the seal to the walls on the inside of the recess, all the way around, in line with the back of the blind. When you put your blind back into the window the two seals together should now eliminate any light gaps.



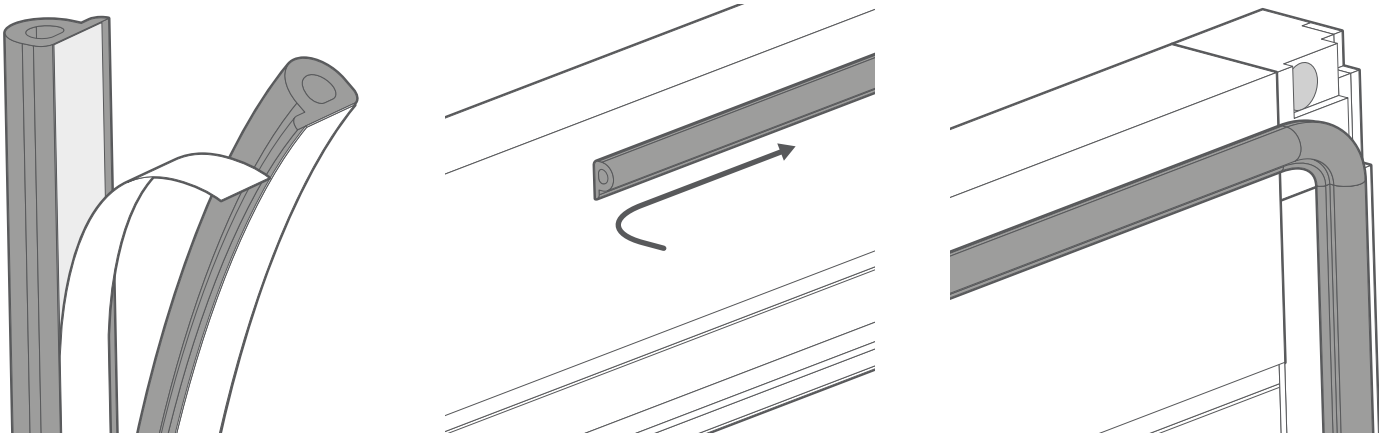
Once you're happy with the blind's position, use a small pair of pliers to pull the spring stopper from each corner piece. The spring-loaded mechanism in the corner piece will engage once the stopper is removed, securing the blind to the walls of the recess. Remove the stopper from all four corner pieces. **Keep the stoppers somewhere safe in case you need to remove the blind from the window for any reason in the future.**



Slot the corner covers onto all four corner pieces.

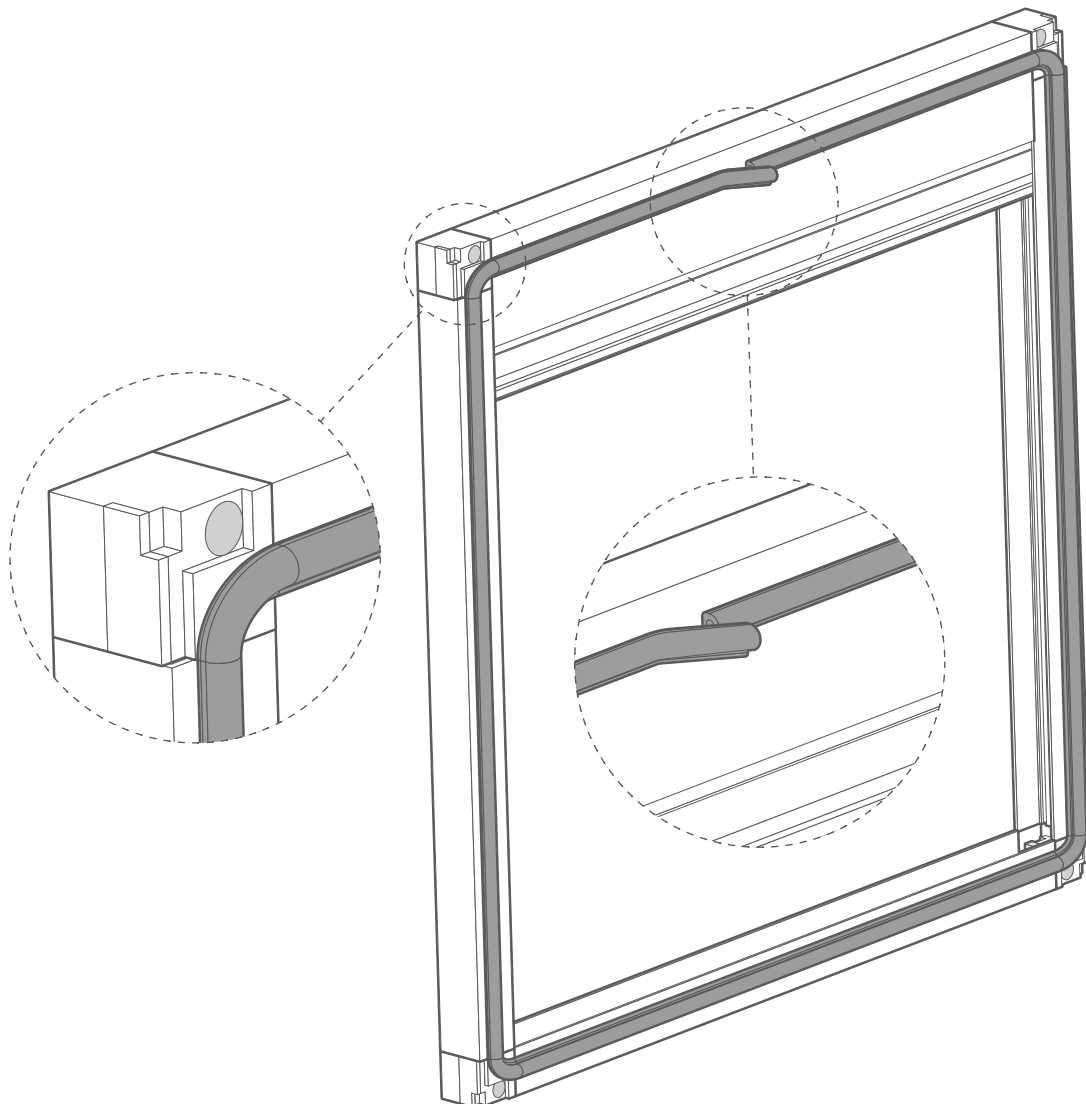
**Install the blind - outside recess**

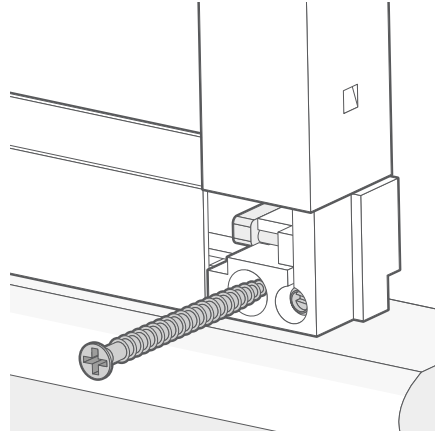
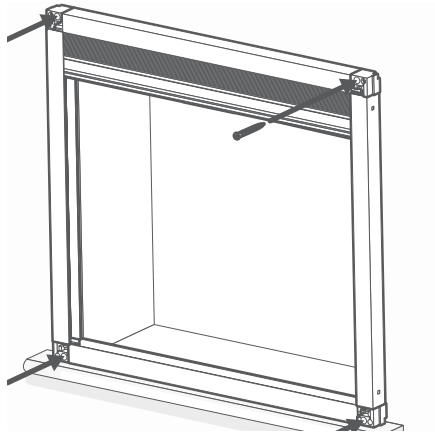
3



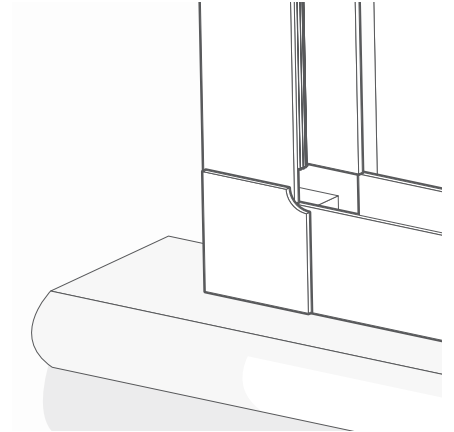
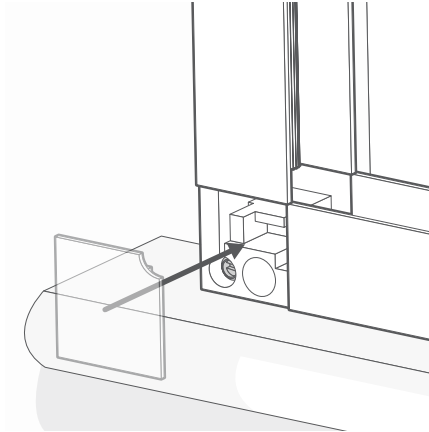
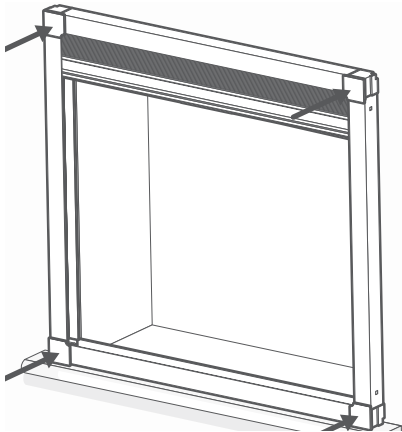
Start by fitting the light sealing strip to the blind. The strip is provided on a long roll with its two halves joined together. Split the two halves, peel the adhesive cover from one end and stick it to the blind's frame. The strip should attach to the back surface of the blind's frame, with its rounded front facing outwards.

Start around the centre at the top of the blind; flip the blind over and stick the strip onto the back of the blind, all the way around the blind, folding it around each corner, until it returns to where you started. Make sure that the strip does not cover the screw holes in each corner piece. Overlap the end of the strip over the start of the strip by a few centimetres, trimming off the excess. Keep the excess to one side for now in case you need it later.





Lift the blind back into position and screw it into place. Take care not to over-tighten the screws.



Clip the corner covers onto all four corner pieces.