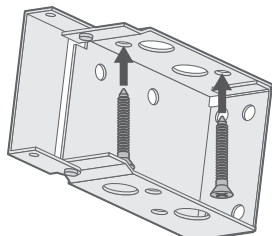


**Fitting the brackets**

**1**

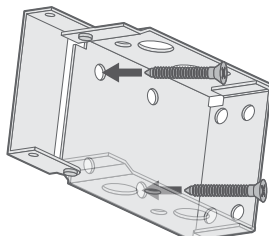
The brackets offer three methods of installation:

**Top-Fixing**



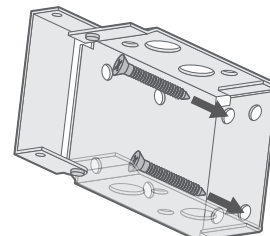
Where the brackets are screwed into the lintel (or 'ceiling' of the recess)

**Side-Fixing**

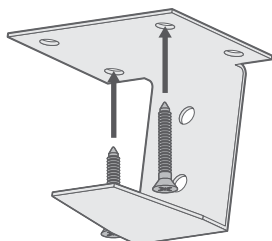


Where the brackets are screwed into the side walls of the recess

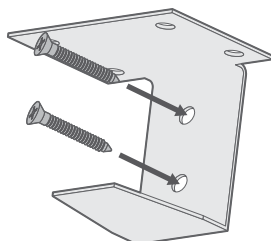
**Face-Fixing**



Where the brackets are screwed onto a facing surface (a wall or window frame)



**Top-Fixing**



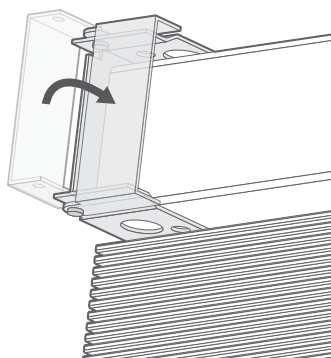
**Face-Fixing**

Wider blinds will be supplied with support brackets. These should be positioned towards the centre of the window area in-line with the box brackets. Make sure that the position of the support bracket is clear of any cords coming out of the headrail. Support brackets can be top-fixed or face-fixed.

**Fitting the blind**

**2**

If you are fitting the blind inside a recess, go to step 3 before step 2.



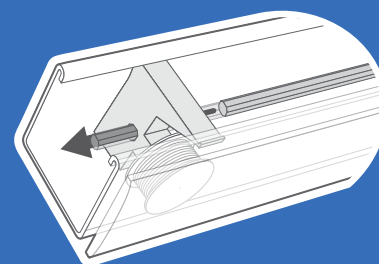
Lift the blind to the window and slot the headrail into the open brackets.

Swing the hinged section of the bracket closed and press firmly until it locks.

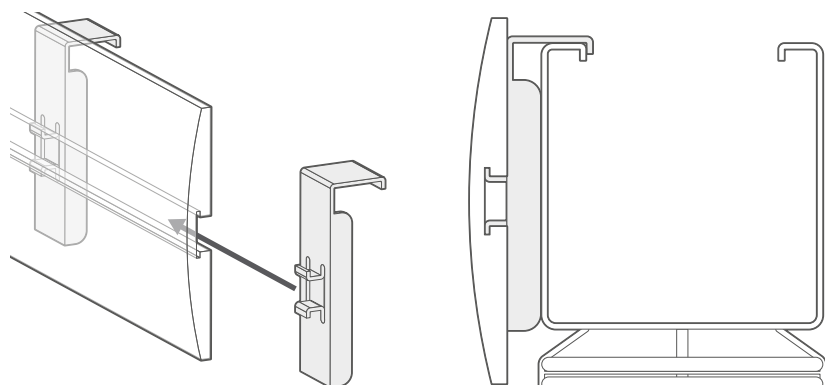
**Top Tip**

If you pull the cords to tilt the blind but the slats do not move:

- Make sure the slats are open and that the tilt cords are both the same length.
- Stack the blind up tightly and lock it off, then take it down from the brackets.
- Push the metal rod inside the headrail all the way over to the left, so that it is connected to the tilting mechanism.

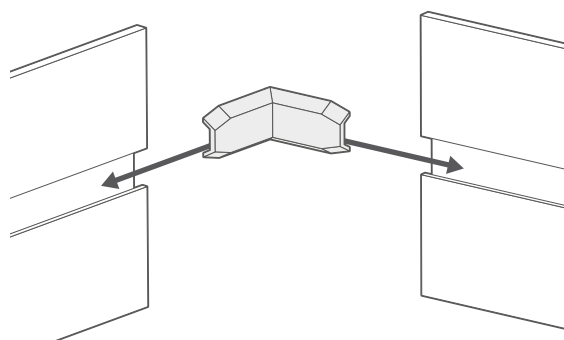


**Fitting the pelmet**



Slide the hooks on the back of the pelmet clips into the channel on the back of the pelmet. Space the clips evenly along the length of the pelmet.

Then simply hook the pelmet over the front of the blind's headrail.



**Pelmets for 'Exact Fitting'**

If you've ordered 'exact fitting' then the pelmet will be sent wider and mitred at the ends, with additional end returns to cover the brackets. Use the 'L' shaped plastic brackets from your fittings pack to attach the side returns to the pelmet.

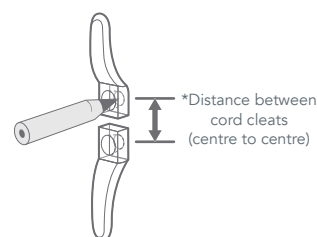
**Cord safety cleat**

**Child Safety**

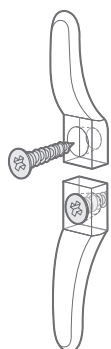
The safety cleat shall be installed as close to the headrail as possible and in all cases not less than 1500mm from the floor. The cord must be fully accumulated around the safety cleat(s) when the blind is not in use. Use the table below to determine the distance required between the cleats to fully accumulate the cords when the blind is fully raised.

Drop of blind	*Distance between cord cleats (centre to centre)
1-1000mm	100mm
1001-2000mm	150mm
2001-3000mm	300mm

Place the safety cleat in the desired position on the wall and mark the positions of the holes with a pencil.



Mark the hole positions and drill as required. Use the screws provided to attach the safety cleat to the wall.



Wrap the cords around the cord cleats in a figure of 8. When the cords are fully accumulated, ensure they are secure so that when any cord is pulled, no excess cord is released.



## Child Safety



Young children have died by wrapping loose curtain and blind cords or chains around their necks.



Secure cords or chains with cord guides or keep them out of reach by winding them around a cleat.

Move cots and furniture away from window covering cords or chains.

Do not remove this label.

**WARNING:** To avoid creating a possible strangulation hazard for children, the corded internal window covering must be installed in such a way that a loose cord cannot form a loop 220mm or longer at a height of less than 1600mm above floor level.