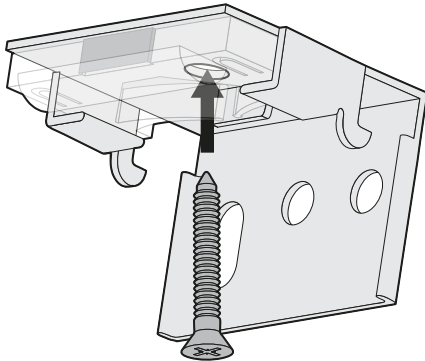


Fitting the brackets

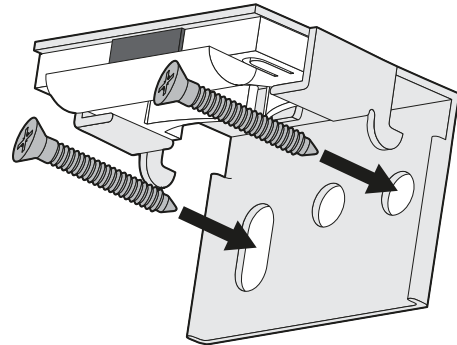
1

The brackets offer two methods of installation:



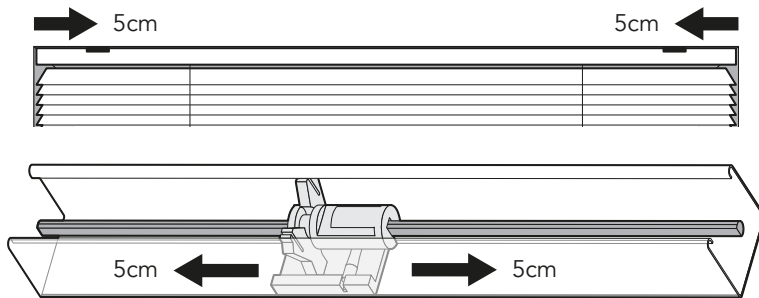
Top-Fixing

Use the single hole in the top of the bracket to fix to the lintel (the 'ceiling' of the recess).



Face-Fixing

Use two screws through the back plate to mount onto a facing surface (a wall or window frame)

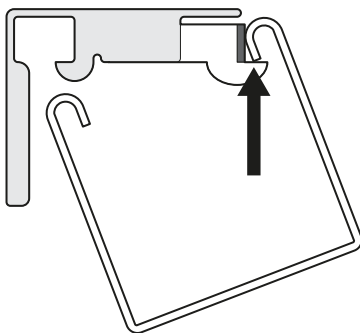


The outermost brackets should be mounted at least 5cm in from the ends of the blind.

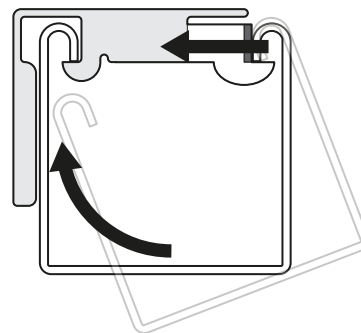
The remainder of the brackets should be spaced evenly along the width of the blind, ensuring that they do not interfere with any of the moving components in the headrail.

Fitting the blind

2



Situate the front lip of the headrail into the front of the bracket.

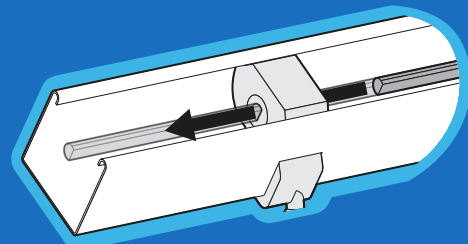


Push the back of the headrail upwards to lock it into the back of the bracket.

Top Tip

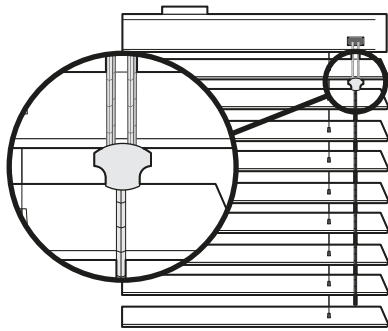
If you twist the wand to tilt the slats but the slats do not move:

- Make sure the slats are open and flat.
- Stack the blind up tightly and lock it off, then take it down from the brackets.
- Push the metal rod inside the headrail all the way over to the left, so that it is connected to the tilting mechanism.



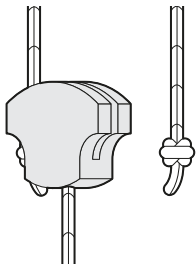
Cord Condenser

Child Safety

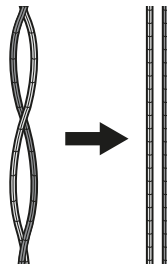


A breakaway cord condenser is pre-fitted to the lift cords so that when a horizontal force is applied to the cords entering the condenser, it safely releases the cords to eliminate any hazardous loops.

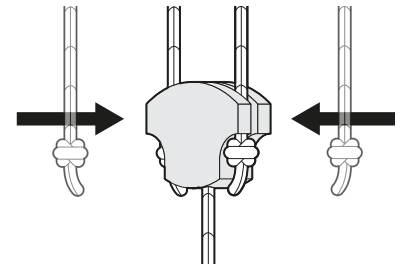
If any of the cords are pulled from the condenser...



... Make sure the cords aren't twisted or tangled...

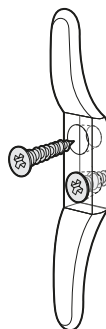
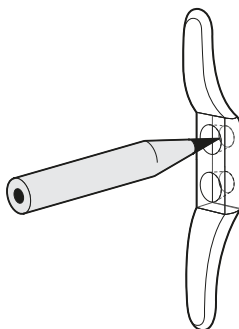


... Then slot the cords into the notches on the sides of the condenser, ensuring the knots at the ends of the cords are tight.



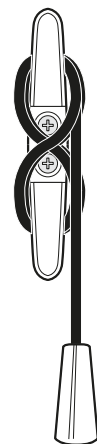
Cord Safety Cleat

The safety cleat shall be installed as close to the headrail as possible and **in all cases not less than 1500mm from the floor**. The cord must be fully accumulated around the safety cleat when the blind is not in use.



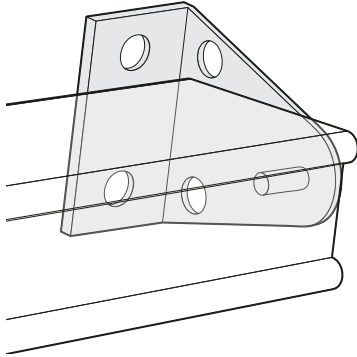
Mark the hole positions and drill as required. Use the screws provided to attach the safety cleat to the wall.

Wrap the cords around the cord cleat in a figure of 8. When the cords are fully accumulated, ensure they are secure so that when any cord is pulled, no excess cord is released.



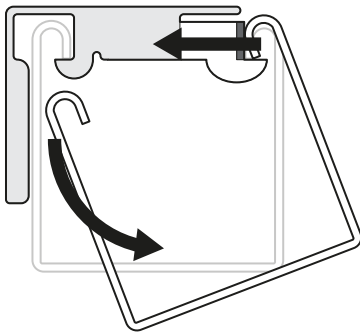
Hold Down Brackets

Additional Information



Two triangular, transparent brackets are supplied, which are used to hold the bottom of the blind against the fitting surface. These are only recommended for use when fitting the blind to a door, they are not usually required for window installations.

Removing the blind from the brackets



To release the blind from the brackets at any point after installing, push firmly against the blind's headrail to disengage it from the back of the bracket. At the same time, twist the back of the headrail downwards to release it.