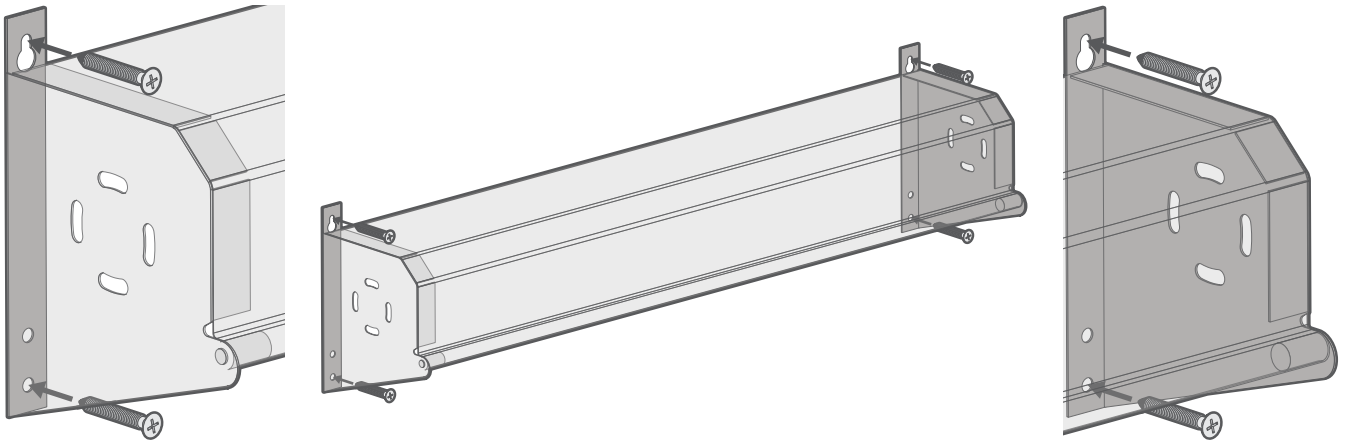


**Mount the cassette**

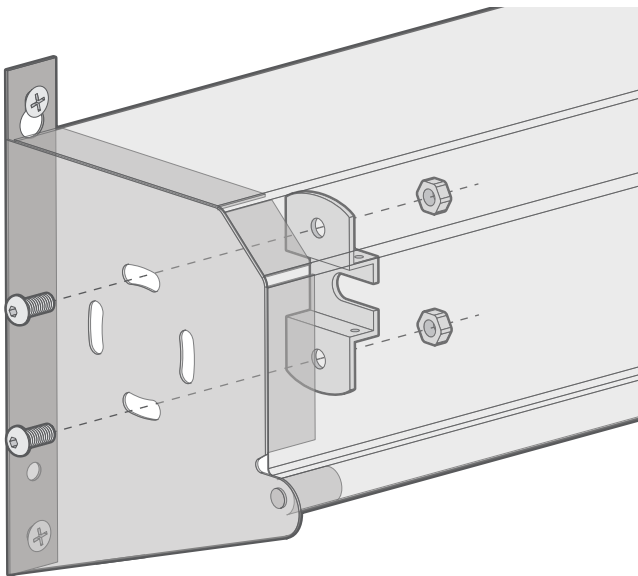
**1**



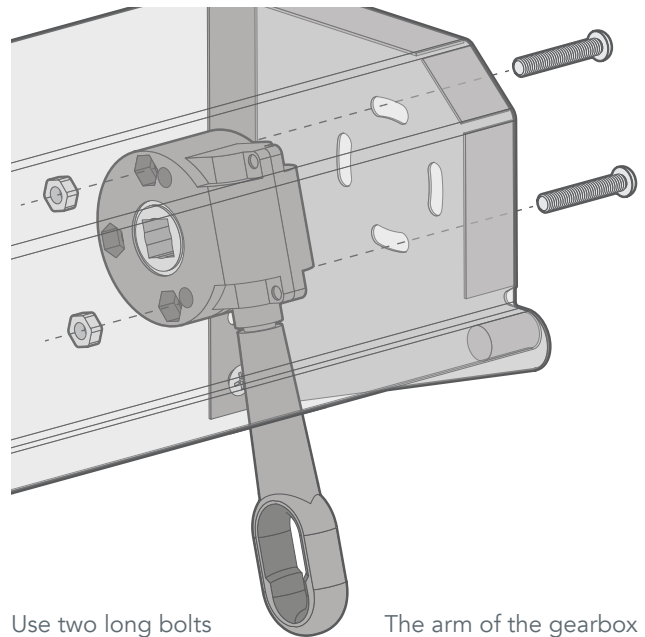
Use the top and bottom screw holes on the back of the cassette to face-fix the cassette to the wall.

**Attach the gearbox and roller plate**

**2**

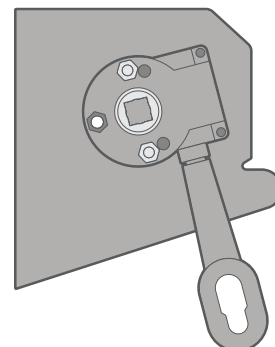
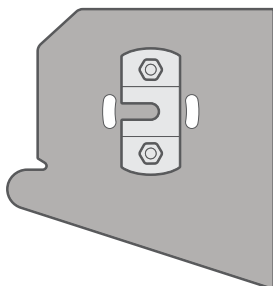


Use two short bolts and two nuts to attach the roller plate to the inside of the cassette. The notch in the plate should be facing toward you.



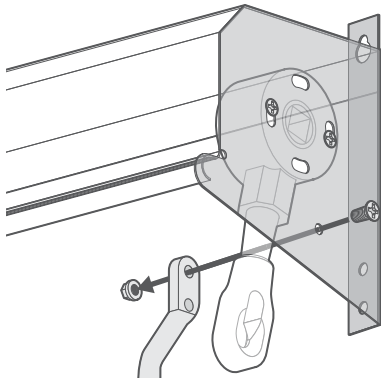
Use two long bolts and two nuts to attach the gearbox.

The arm of the gearbox should be angled slightly up toward you.



**Attach the side guides**

**3**



The side guides will hold the sides of the fabric to prevent it from flapping around during use or in bad weather.

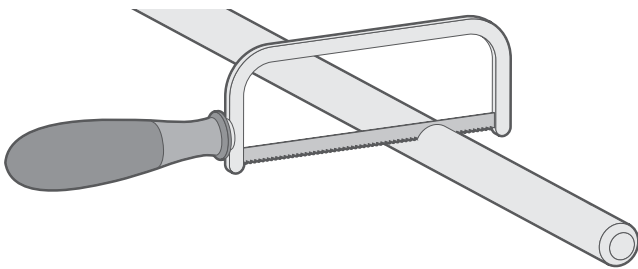
Mount the side guides to the inside face of the cassette, so that they protrude in towards the centre.

Use 1 nut & bolt per side guide to attach them to the inside face of the cassette at each end.

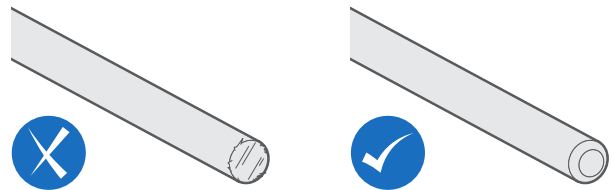


The side guides are made intentionally longer than you might need them, so that you can trim them to the perfect length.

**We recommend that the guides finish 100mm below the window.**

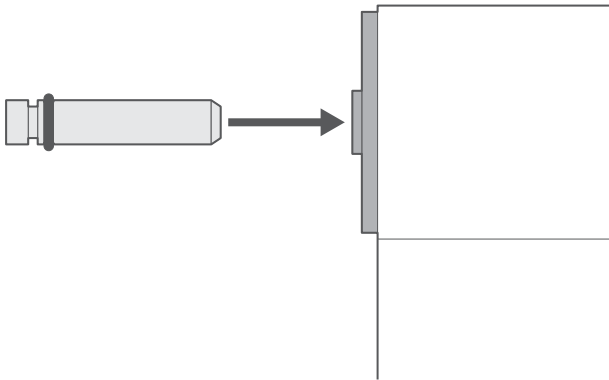


Use any type of fine-tooth saw to trim off the excess.

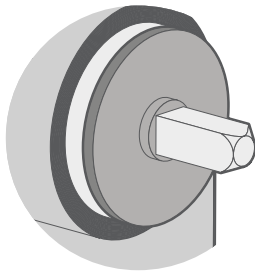


Make sure to file down the end after cutting to remove any burred edges.

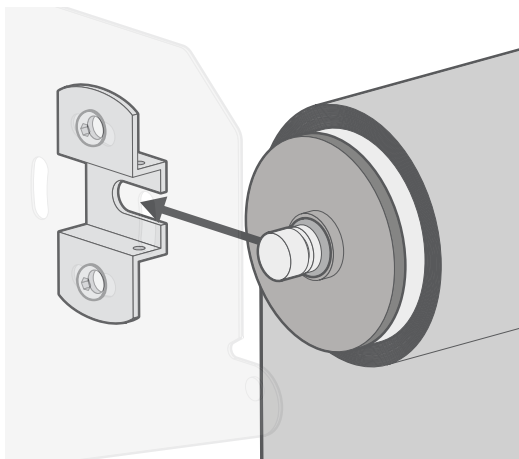
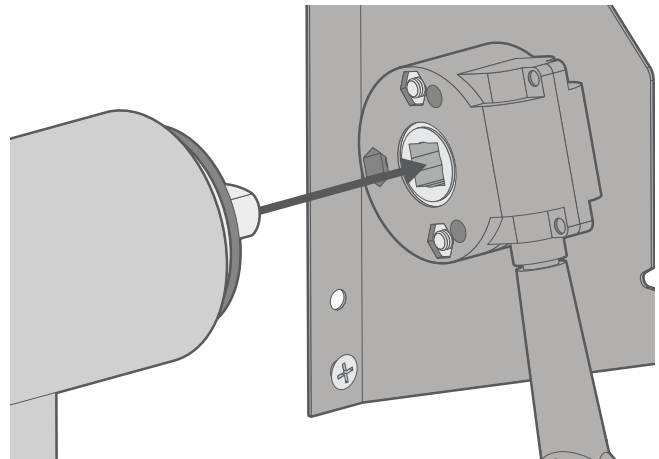
**Fit the blind**



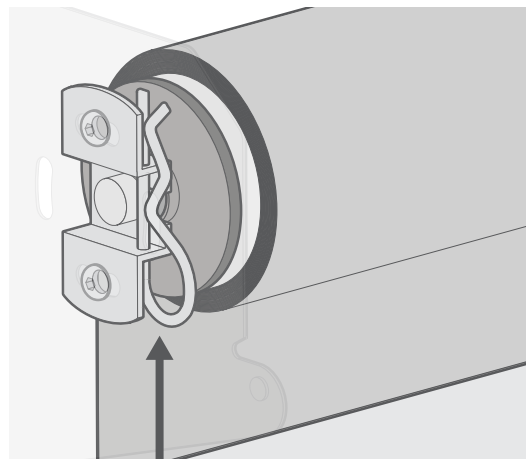
Start by inserting the roller 'pin' in the end of the blind opposite to the gearbox side. Note that the rubber 'O' ring on the pin should be resting inside the innermost of the two cutout sections.



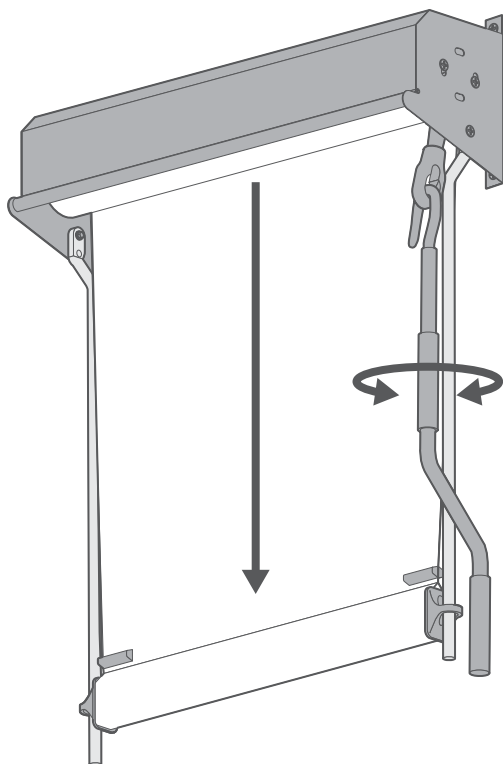
Take the roller and slot the square peg on one end into the square slot on the inside face of the gearbox.



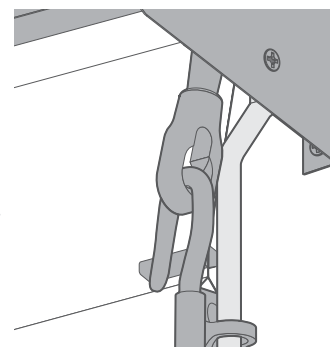
Slot the roller pin into the notch on the roller plate.



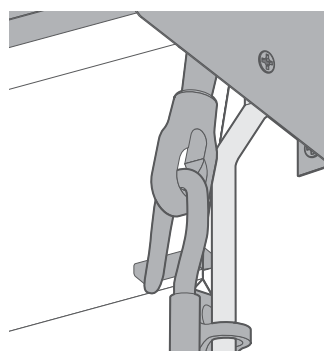
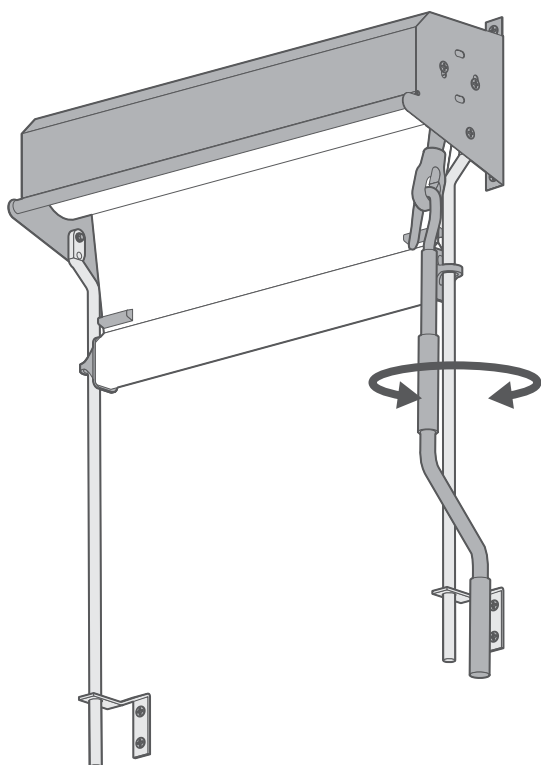
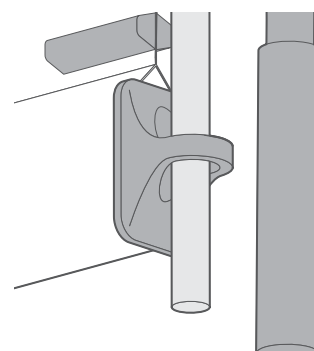
Secure the pin by inserting the R-clip into the roller plate.



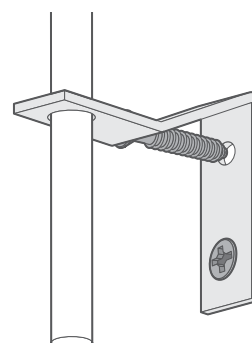
Hook the crank handle onto the gearbox and turn it to lower the blind until it's close to the bottom.



Feed the eyelets on the ends of the bottom bar up onto the ends of the side guides, then use the crank handle to raise the blind slightly.



To raise or lower the blind simply rotate the crank handle.



Feed the L-brackets onto the bottom of the side guides and fix them in place with 2 screws each.

**Top Tip**

For orders containing 1 to 3 blinds, 1 crank handle will be supplied. For orders containing 4 or more blinds, 2 crank handles will be supplied. **We recommend removing the crank handle from any blinds whilst not in use.**

